



* Assembly Guide & Warranty Card Included

ES900 UPRIGHT BIKE OWNER'S MANUAL



ES900 UPRIGHT BIKE OWNERS MANUAL

IMPORTANT:

All Products shown are prototype. Actual product delivered may vary.

Product specifications, features & software are subject to change without notice.

For the most up to date owner's manual please visit www.truefitness.com.

For documents in additional languages please visit www.truefitness.com/document-library/29/international-manuals

IMPORTANTE:

Todos los productos mostrados son prototipos. La realidad el producto suministrado puede diferir.

Especificaciones de productos, características y software están sujetas a cambios sin previo aviso.

Para la más actualizada de este manual del propietario, por favor visite www.truefitness.com

Para los documentos en otros idiomas, por favor visite www.truefitness.com/document-library/29/international-manuals

IMPORTANT:

Tous les produits présentés sont prototype. Le produit réel livré peut varier.

Spécifications du produit, caractéristiques et logiciels sont sujettes à modification sans préavis.

Pour la plus à jour le manuel du propriétaire s'il vous plaît visitez www.truefitness.com.

Pour documents dans des langues supplémentaires, veuillez www.truefitness.com/document-library/29/international-manuals de visite

重要提示 :

显示所有产品的原型。实际交付的产品可能有所不同

产品规格，功能和软件如有更改，恕不另行通知

迄今为止对于大多数的使用说明书，请访问www.truefitness.com

对于其他语言的文档，请访问www.truefitness.com/document-library/29/international-manuals

هام:

معجم المنتجات المعروضة هي النموذج. قد تختلف المنتج اي لعظ اهميلست.

مواصفات المنتج، والميزات والبرامج تلبية للتغيير دون إشعار.

لمعظم ام يصل الى تد الآن دليل المالك يرجى زيارة www.truefitness.com.

للمستندات في لغات إضافية، يرجى زيارة www.truefitness.com/document-library/29/international-manuals

WICHTIG:

Alle hier gezeigten Produkte sind Prototypen. Das tatsächliche Produkt ausgeliefert wird, kann variieren.

Produkt-Spezifikationen, Funktionen und Software können sich ohne vorherige Ankündigung ändern.

In den meisten Fällen bis zu Bedienungsanleitung Bisher besuchen Sie bitte www.truefitness.com.

Für Dokumente in weiteren Sprachen finden Sie unter www.truefitness.com/document-library/29/international-manuals

BELANGRIJK:

Alle getoonde producten zijn prototype. Daadwerkelijke product geleverd kan verschillen.

Product specificaties, eigenschappen & software zijn onderhevig aan verandering zonder kennisgeving.

Voor de meest actuele handleiding van de eigenaar kunt u terecht www.truefitness.com.

Voor documenten in andere talen kunt u terecht op www.truefitness.com/document-library/29/international-manuals

ВАЖНО:

Все товары указаны прототипа. Фактический продукт, поставляемый могут отличаться.

Технические характеристики, особенности и программного обеспечения могут быть изменены без предварительного уведомления.

Для получения самой последней на сегодняшний день руководство по эксплуатации пожалуйста, посетите

www.truefitness.com

.Для документов на другие языки, пожалуйста, посетите www.truefitness.com/document-library/29/international-manuals

ES900 UPRIGHT BIKE OWNERS MANUAL

Frank Trulaske began TRUE Fitness over thirty-five year ago with the simple philosophy of delivering superior fitness products, service and support. Today, TRUE is the global leader in premium fitness equipment for the commercial and residential markets. Our goal is to be the leader in technology, innovation, performance, safety and style. TRUE has received many awards for its product over the years and remains the benchmark for the industry. Fitness facilities and consumers invest in TRUE products for their durable commercial platforms used in all its products, both commercial and residential alike.

The proud manufacturing tradition of quality and the culture of innovation at TRUE have given rise to a full line of extraordinary cardio and strength equipment. As a result, people all over the world are benefiting from the TRUE experience. Innovation across the full product line has made TRUE successful and is a trademark of the TRUE heritage. TRUE's patented Heart Rate Control technology is just one of the remarkable ways we deliver simple and superior performance every user can enjoy, and most importantly, use to achieve personal health and fitness goals.

At the heart of our success is the relentless and systematic life testing of both our products and their components. We have dedicated employees who understand our philosophy is to deliver the best products in the world.

Our goal is to deliver the world's best premium equipment for our customers' health and fitness solutions.

ES900 UPRIGHT BIKE OWNERS MANUAL

TABLE OF CONTENTS:

Chapter 1: Safety Instructions

Safety Instructions	1
Space Requirements	3
Grounding Instructions	3
Power Requirements	5
Warning Decals	6
Compliances	6

Chapter 2: Assembly Instructions

Pre-Assembly Checklist	7
Bike Assembly Steps	10

Chapter 3: Product Overview

Bike Overview	21
---------------	----

Chapter 4: Programming & Operation

Heart Rate Monitoring	23
Heart Rate Control	23
Program Descriptions	25

Chapter 4A: Escalate⁹ Operation

Escalate ⁹ Overview	28
Console Navigation	30
Advanced Console Functions	36

Chapter 4B: Emerge Operation

Emerge Overview	41
Console Navigation	43
Advanced Console Functions	45

Chapter 5: Care & Maintenance

Care & Maintenance	46
Cleaning the Equipment	46
Leveling the Unit	46
Other Scheduled Preventive Maintenance	47
Long Term Storage	47

Chapter 6: Customer Service

Contacting Service	48
Contacting Sales	48
Reporting Freight Claims or Parts Damage	51

Chapter 7: Additional Information

Troubleshooting	50
Specification Sheet	52
Warranty Information	54




CHAPTER 1: SAFETY INSTRUCTIONS

IMPORTANT SAFETY INSTRUCTIONS








SAVE THESE SAFETY INSTRUCTIONS

This bike is intended for in-home use only; do not use this bike in a commercial or institutional setting.


Doing so may void the expressed warranty.

-  WARNING: All EXERCISERS MUST READ ALL INSTRUCTIONS BEFORE USING THE BIKE.
-  WARNING: Heart rate monitoring systems may be inaccurate for some individuals. Over-exercising may result in serious injury or death. If you feel faint, stop exercising immediately.
-  WARNING: Equipment should be immediately taken out of use if it fails to work properly or when a warning is presented electronically.

TRUE STRONGLY recommends seeing a physician for a complete medical exam before undertaking an exercise program, particularly if the user has a family history of high blood pressure or heart disease, is over the age of 45, smokes, has high cholesterol, is obese or has not exercised regularly in the past year. Additionally, TRUE recommends consulting a fitness professional on the correct use of this product. If at any time while exercising the user experiences faintness, dizziness, pain or shortness of breath, he or she must stop immediately.

-  WARNING: To reduce the risk of electrical shock, always unplug this TRUE product before cleaning or attempting any maintenance activity. Do not handle the plug with wet hands.
-  WARNING: To reduce the risk of burns, fire, electric shock or injury, it is imperative to connect each product to a properly grounded 110V electrical outlet. A risk of electrical shock may result from improper connection of the equipment's grounding conductor. Check with a qualified electrician if you are unsure about proper grounding techniques. Do not modify the plug provided with this product. If it will not fit an electrical outlet, have a proper outlet installed by a qualified electrician. Your TRUE Fitness product must be properly grounded to reduce risk of shock if the bike malfunctions. Your bike is equipped with an electrical cord, which includes an equipment grounding conductor and a grounding plug. The plug must be inserted into an outlet that has been properly installed and grounded in accordance with all local codes and ordinances. A temporary adapter cannot be used to connect this plug to a two-pole receptacle in North America. If a properly grounded 15 amp outlet is not available, a qualified electrician must install one.
-  WARNING: Do not move the Equipment by lifting the console. Do not use the console as a handlebar during a workout.
-  WARNING: This product contains chemicals known to the state of California to cause cancer and birth defects or other reproductive harm.
-  WARNING: Keep equipment stable on flat ground.
-  WARNING: Replace warning labels that may be worn, damaged or missing.
-  WARNING: Replace any non-working or damaged components; remove the unit from service until repair is performed.

CHAPTER 1: SAFETY INSTRUCTIONS

 **WARNING:** To reduce the risk of burns, fire and electric shock or injury to persons, follow these instructions:

- This appliance should never be left unattended when plugged in.
- Do not use any type of extension cord with this product.
- Unplug it from the outlet when not in use and before any servicing.
- Do not operate the equipment while being covered with a blanket, plastic, or anything that insulates or stops airflow.

CAUTION:

- Do not use typing or web surfing features at excessive speeds. Always stabilize yourself by holding a stationary handle when using typing or web surfing features. (Varies by console option)
- Health related injuries may result from incorrect or excessive use of exercise equipment.
- Do not use the contact heart rate grips as a handlebar during a workout.
- Any changes or modifications to this equipment could void the product warranty.
- To disconnect plug remove from electrical outlet.
- Power adapter requirements for the ES900 are 110V AC input and 9V DC 1.5Amp output, unless it is paired with the optional touch console which requires 110V AC input and 12V DC 3Amp output.
- Use a TRUE AC power cord or AC/DC adapter only.
- Note the plug configuration for the power adapter may vary by country.
- The batteries within self-generated equipment contain materials that are considered hazardous to the environment. Federal law requires proper disposal of these batteries.
- Position this product so the power cord plug is accessible to the user.
- Keep the power cord away from heated surfaces. Do not pull the equipment by the power cord or use the cord as a handle. Do not run the power cord along the side or under the Bike.
- If the bike power supply cord is damaged it must be replaced by the manufacturer, an authorized service agent, or a similarly qualified person to avoid a hazard.
- Do not use this product in areas where aerosol spray products are being used or where oxygen is being administered. Such substances create the danger of combustion and explosion.
- Always follow the console instructions for proper operation. Close supervision is necessary when used near children under the age of 15, or disabled persons.
- Do not use this product outdoors, near water, while wet, or in areas of high humidity including extreme temperature changes
- Never operate a TRUE product with the air openings blocked. Keep air openings free of lint, hair or any obstructing material.
- Never insert objects into any openings in this product. If an object should drop inside, turn off the power, unplug the power cord from the outlet and carefully retrieve it. If the item cannot be reached, contact TRUE Customer Service.
- Never place liquids of any type directly on the unit except in the accessory tray or bottle holders. Containers with lids are recommended.
- Wear shoes with rubber or high traction soles. Do not use shoes with heels, leather soles, cleats or spikes. Make sure no stones are embedded in the soles. Do not use this product in bare feet. Keep all loose clothing, shoelaces and towels away from moving parts.
- Do not reach into or underneath the unit, or tip it on its side during operation.
- Use correct ergonomic positioning while operating the bike.
- Do not allow animals on or near the equipment while in operation.
- Do not exceed maximum user weight of 350 lbs (159 kg).

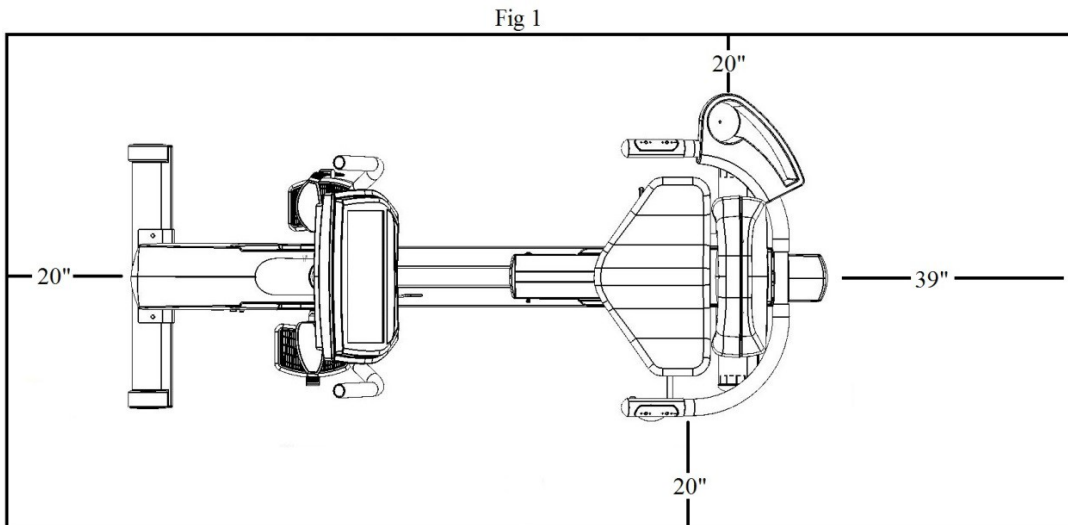
CHAPTER 1: SAFETY INSTRUCTIONS

⚠️ CAUTION (continued):

- Avoid exiting bike while the pedals are still in motion.
- Do not use if you have a cold or fever.
- When using this exercise machine, basic precautions should always be followed.
- Use this bike only for its intended use as described in this manual.
- Do not use attachments not recommended by the manufacturer.
- Allow only trained personnel to service this equipment.
- Avoid the possibility of bystanders being struck or caught between moving parts by making sure that they are out of reach of the bike while it is in motion.
- Allow only one person at a time on the bike while it's operating.
- It is the sole responsibility of the owner/operator to ensure regular and scheduled maintenance is performed.
- This appliance can be used by children aged from 8 years and above and persons with reduced physical, sensory or mental capabilities or lack of experience and knowledge if they have been given supervision or instruction concerning use of the appliance in a safe way and understand the hazards involved.
- Children shall not play with the appliance.
- Cleaning and user maintenance shall not be made by children without supervision.

SPACE REQUIREMENTS:

- TRUE's recommendation is to leave a 39" safety zone at rear of bike. The sides of the bike should be at least 20" away from the wall or obstructions. (See Fig 1)



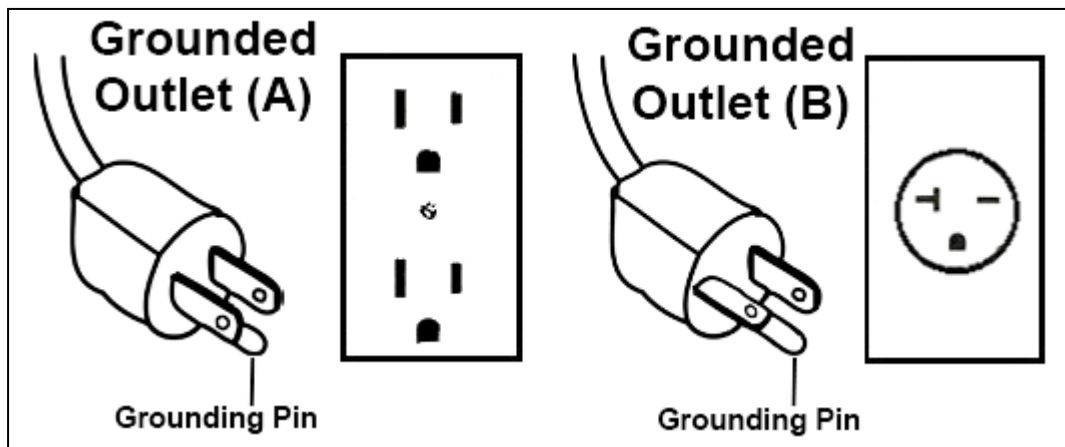
CHAPTER 1: SAFETY INSTRUCTIONS

GROUNDING INSTRUCTIONS:

This product must be grounded, if it should malfunction or breakdown, grounding provides a path of least resistance for electric current to reduce the risk of electric shock. This product is equipped with a cord having an equipment-grounding conductor and a grounding plug. The plug must be plugged into an appropriate outlet that is properly installed and grounded in accordance with all local codes and ordinances.

DANGER:

- Improper connection of the equipment-grounding conductor can result in a risk of electric shock.
- Check with a qualified electrician or serviceman if you are in doubt as to whether the product is properly grounded. Do not modify the plug provided with the product – if it will not fit the outlet; have a proper outlet installed by a qualified electrician.
- Do not remove any covers or you may risk injury due to electric shock.
- The 120-V model is for use on a nominal 120-V circuit and has a grounding plug that looks like the plug illustrated in figure A. Make sure the product is connected to an outlet having the same configuration as the plug. No adaptor should be used with this product.
- The 230-V model is for use on a circuit having a nominal rating more than 120-V and is factory-equipped with a specific electric cord and has a grounding plug that looks like the plug illustrated in figure B. Make sure that the product is connected to an outlet having the same configuration as the plug in Figure B. No adaptor should be used with this product. If the product must be reconnected for use on a different type of electric circuit, the reconnection should be made by qualified service personnel.



CHAPTER 1: SAFETY INSTRUCTIONS

POWER REQUIREMENTS FOR TRUE PRODUCTS

Information Sheet 2010

NOTE: Read and understand all instructions on this sheet and in the Owner's manual before plugging any TRUE power cord into an electrical outlet. This information sheet will help you identify the voltage and cords you need where you live and will outline requirements for:

- Grounded, dedicated lines
- Voltage
- Power cords
- Power adapters
- Extension cords

!DANGER: Improper connection of the equipment-grounding conductor can result in risk of electric shock. Check with a qualified electrician or service provider if you are in doubt as to whether the equipment is properly grounded or installed on a dedicated line. Seek a qualified electrician to perform any modifications to the cord or plug. TRUE is not responsible for injuries or damages as a result of cord or plug modification.

!CAUTION: Place cords away from heat (such as baseboards). Use care to arrange any cord so it doesn't become an obstacle.

Extension Cords

Do not use an extension cord to supply power to any TRUE product.

Grounded, Dedicated Line

TRUE equipment must be grounded. If it should malfunction or break down, grounding provides a path of least resistance for electric current to reduce the risk of electric shock. TRUE cords (except for cycle adapters) have an equipment-grounding conductor and a grounding plug. The plug must be plugged into an appropriate outlet that is properly installed and grounded in accordance with all local codes and ordinances where you live. Do not use a ground plug adapter to adapt the power cord to a non-grounded outlet. Do not use a GFCI outlet or GFCI circuit breaker. A dedicated line will assure that adequate power is available for safe operation over the life of your TRUE Product.

Voltage

Voltage required for your unit is located on the serial number decal (usually on the front of the unit). Depending on where you live voltage requirements differ.

For example, in the United States some TRUE treadmills require a circuit rated 115 VAC, 60 Hz and 20 amps. See Figure 1. However, a home typically has 15 amp outlets. In this case, contact an electrician to install a 20 amp dedicated line prior to use. See Figure 2.

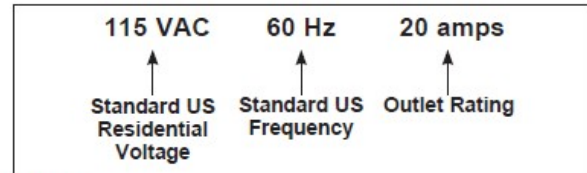


Figure 1

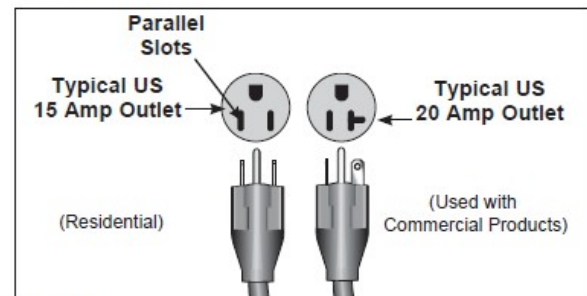


Figure 2

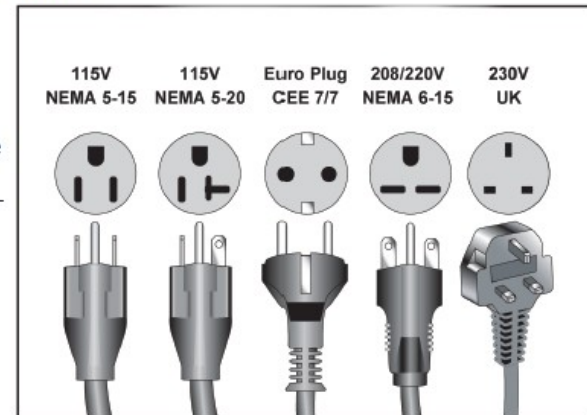

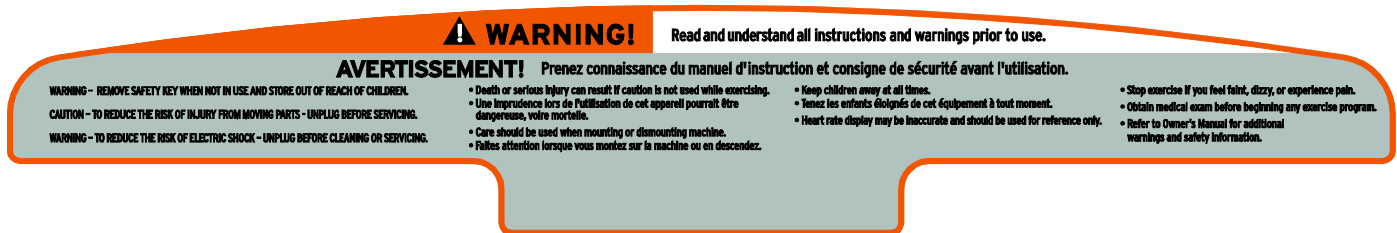


Figure 3

CHAPTER 1: SAFETY INSTRUCTIONS

WARNING DECALS:

 **WARNING:** Replace warning labels that may be worn, damaged or missing.
To replace any worn or missing warning decals contact TRUE FITNESS by one of the following: www.truefitness.com or contact customer service at 800-883-8783.



⚠ WARNING! Read and understand all instructions and warnings prior to use.

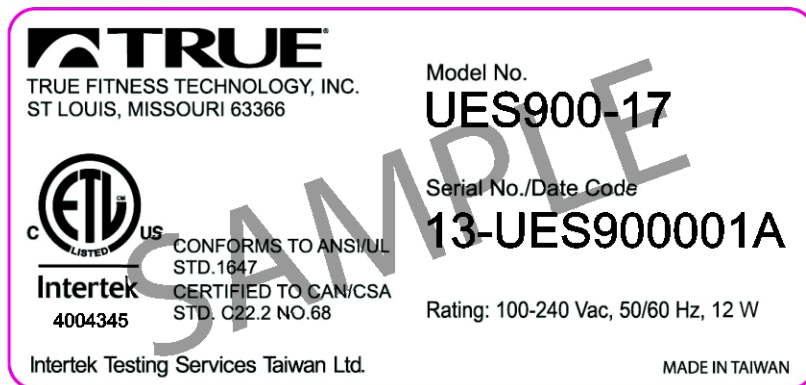
AVERTISSEMENT! Prenez connaissance du manuel d'instruction et consigne de sécurité avant l'utilisation.

WARNING - REMOVE SAFETY KEY WHEN NOT IN USE AND STORE OUT OF REACH OF CHILDREN.

CAUTION - TO REDUCE THE RISK OF INJURY FROM MOVING PARTS - UNPLUG BEFORE SERVICING.

WARNING - TO REDUCE THE RISK OF ELECTRIC SHOCK - UNPLUG BEFORE CLEANING OR SERVICING.

- Death or serious injury can result if caution is not used while exercising.
- Use Imprudence lors de l'utilisation de cet appareil pourrait être dangereuse, voire mortelle.
- Care should be used when mounting or dismounting machine.
- Faites attention lorsque vous montez sur la machine ou en descendez.
- Keep children away at all times.
- Tenez les enfants éloignés de cet équipement à tout moment.
- Heart rate display may be inaccurate and should be used for reference only.
- Stop exercise if you feel faint, dizzy, or experience pain.
- Obtain medical exam before beginning any exercise program.
- Refer to Owner's Manual for additional warnings and safety information.



TRUE
TRUE FITNESS TECHNOLOGY, INC.
ST LOUIS, MISSOURI 63366

Model No.
UES900-17

Serial No./Date Code
13-UES900001A

Rating: 100-240 Vac, 50/60 Hz, 12 W

ETL LISTED US
CONFORMS TO ANSI/UL
STD. 1647
Intertek
4004345
CERTIFIED TO CAN/CSA
STD. C22.2 NO.68

Intertek Testing Services Taiwan Ltd.

MADE IN TAIWAN

COMPLIANCES:

This equipment complies with all applicable codes and regulations. For a complete list of compliances, please visit www.truefitness.com

CHAPTER 2: ASSEMBLY INSTRUCTIONS

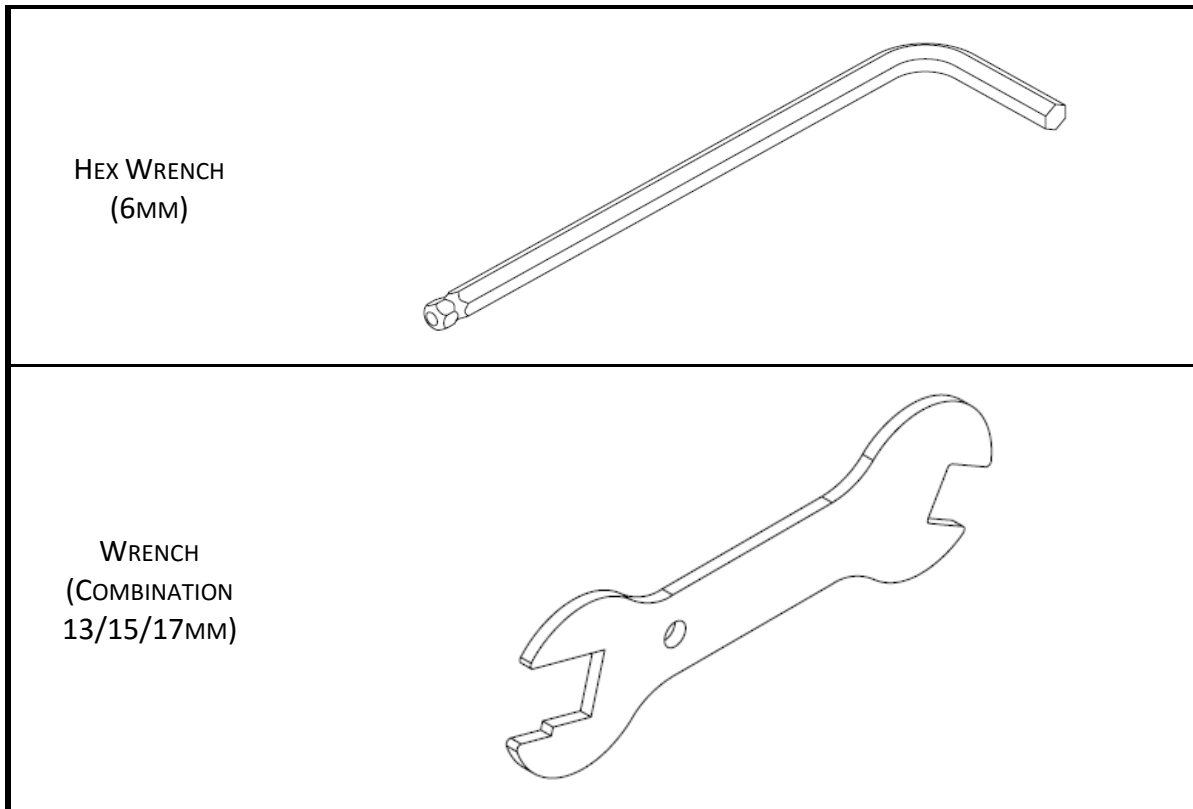
⚠ CAUTION:

- Read and understand all instructions and warnings prior to use.
- Obtain a medical exam before beginning any exercise program. If at any time during exercise you feel faint, dizzy, or experience pain, stop and consult your physician.
- Obtain proper instruction prior to use.
- This machine is intended for residential use only.
- Inspect the bike for incorrect, worn, or loose components and do not use until corrected, replaced, or tightened prior to use.
- Do not wear loose or dangling clothing while using bike.
- Care should be used when mounting or dismounting bike.
- Disconnect all power (if applicable) before servicing bike.
- Do not exceed maximum user weight of 400 lbs.
- Keep children and animals away.
- Use caution when moving and assembling bike.
- All exercise equipment is potentially hazardous. If attention is not paid to the conditions of equipment usage, death, or serious injury could occur.
- Save these instructions.

*Should you need technical assistance in assembly of your TRUE Fitness product, contact TRUE Fitness Technical Support at 1-800-883-8783.

PRE-ASSEMBLY CHECK LIST:

Provided Tools:

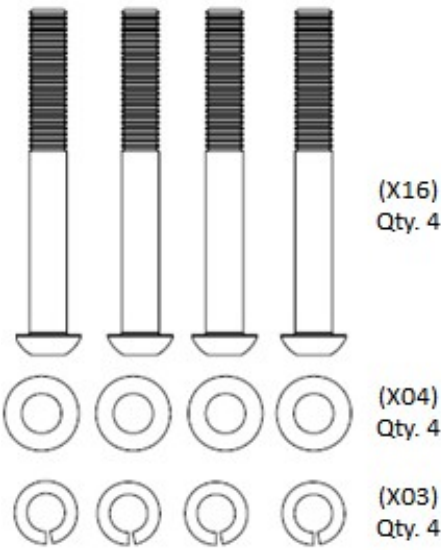
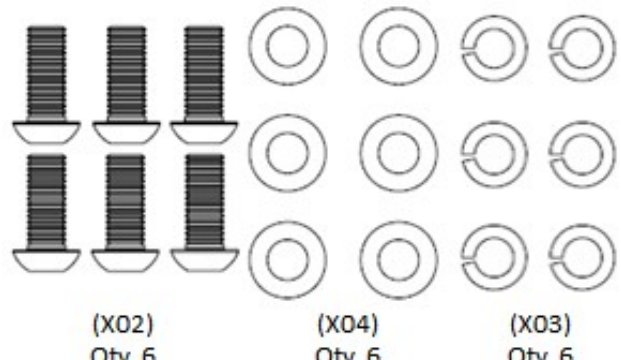


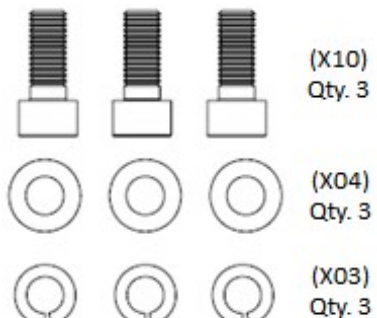



NOTE: Phillips Head Screwdriver is NOT provided

CHAPTER 2: ASSEMBLY INSTRUCTIONS

PRE-ASSEMBLY CHECKLIST (continued):

Provided Hardware:

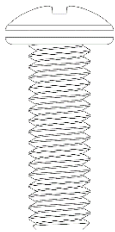
<p>STEP 1 & 2 (FRONT & REAR STABILIZER BARS)</p>  <p>(X16) Qty. 4</p> <p>(X04) Qty. 4</p> <p>(X03) Qty. 4</p>	<p>STEP 5 (FRONT MAST)</p>  <p>(X02) Qty. 6</p> <p>(X04) Qty. 6</p> <p>(X03) Qty. 6</p>
<p>STEP 6 (MAST BOOT)</p>  <p>(X11) Qty. 2</p>	<p>STEP 11 (STORAGE TRAY)</p>  <p>(X33) Qty. 4</p>
<p>STEP 8 (HANDLEBAR)</p>  <p>(X10) Qty. 3</p> <p>(X04) Qty. 3</p> <p>(X03) Qty. 3</p>	<p>STEP 12 (CONSOLE COVERS)</p>  <p>(X06) Qty. 2</p> <p>(X47) Qty. 2</p> <p>(X05) Qty. 2</p>

CHAPTER 2: ASSEMBLY INSTRUCTIONS

PRE-ASSEMBLYCHECKLIST(continued):

Provided hardware:

Step 16 (Tablet Holder)



Pan Head Phillips Screw M4

CHAPTER 2: ASSEMBLY INSTRUCTIONS

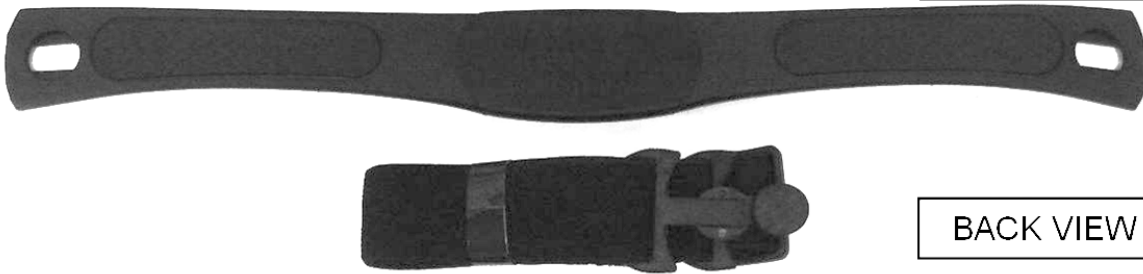
PRE-ASSEMBLY CHECKLIST (continued):

Additional Items Provided:

POLAR T34 Transmitter and Chest Strap (Heart Rate Monitor)



FRONT VIEW



BACK VIEW

Power Adaptor



NOTE: For the 9" Touchscreen Console, a different 12V, 3A Power Adaptor is provided with the console packaging.

NOTE: For the Orange LED Console, use the 9V, 1.3A Power Adaptor provided with the base unit.

CHAPTER 2: ASSEMBLY INSTRUCTIONS

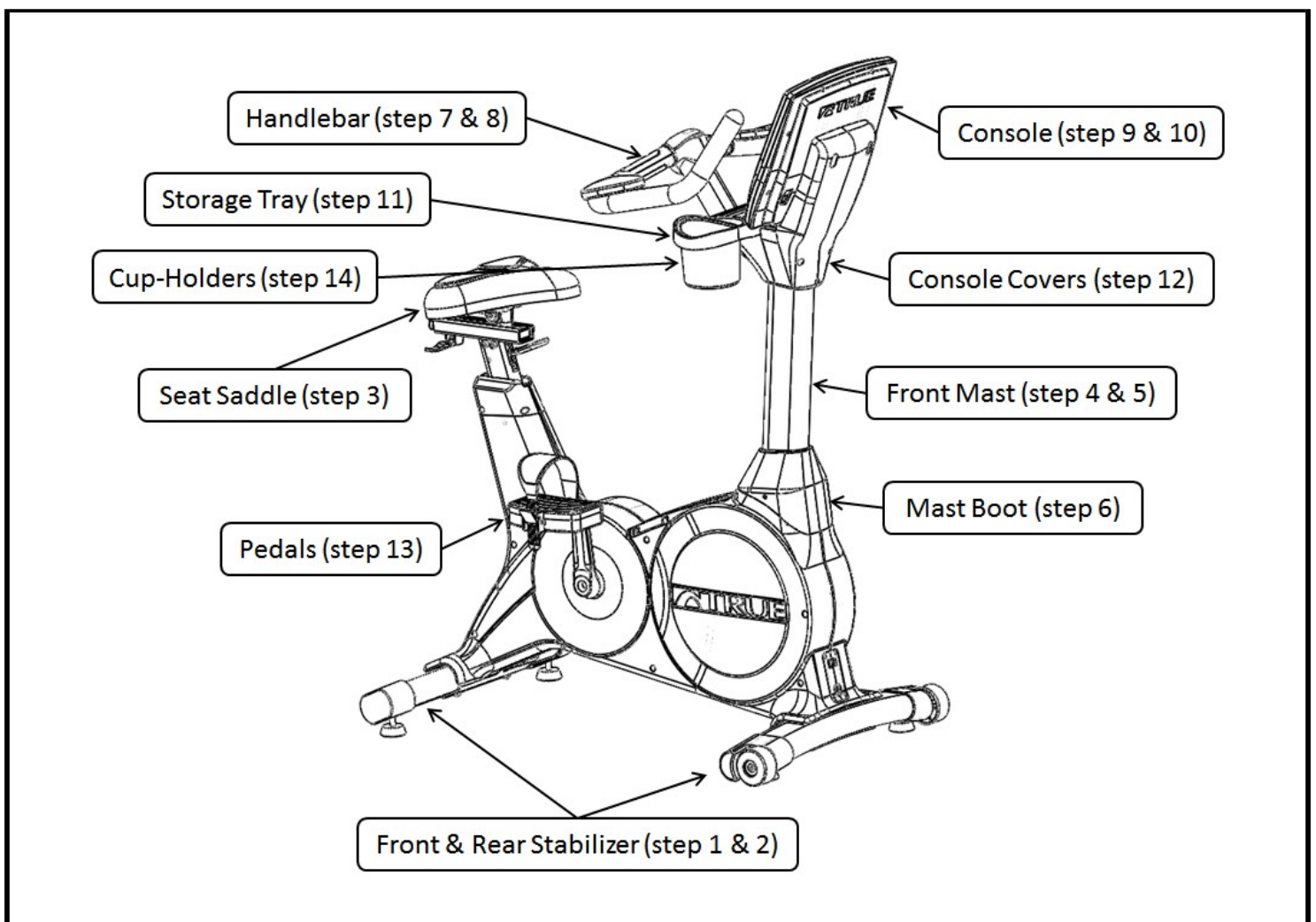
BIKE ASSEMBLY STEPS:

⚠ CAUTION:

- Use caution when assembling bike. It is recommended that at least two people unpack and assemble bike.
- Remove all bike components from packaging.
- For each step use hardware in the corresponding bag
- To protect the floor from damage, rest the bike frame on a large piece of cardboard packaging

Sub-Assembly Identification:

Use the image below as a reference for where the provided sub-assemblies will be located in the complete bike assembly:



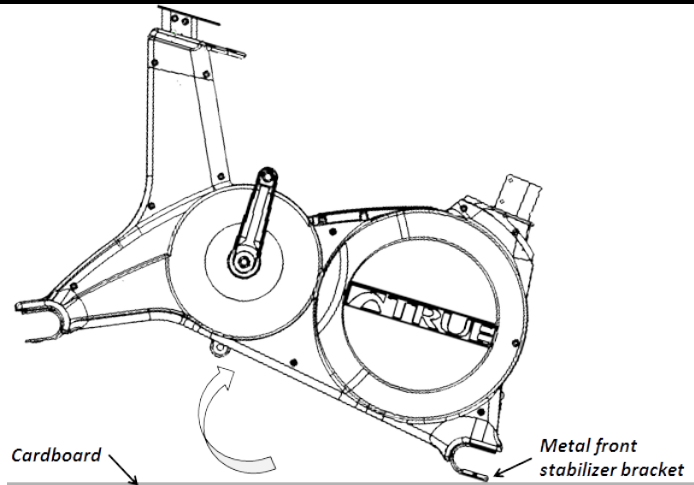
CHAPTER 2: ASSEMBLY INSTRUCTIONS

BIKE ASSEMBLY STEPS (continued):

Step 1: Rear Stabilizer Bar:

a) Rotate the frame forward on the Front Stabilizer bracket (metal).

*At least one person should hold the frame, while another person completes the remaining Rear Stabilizer installation steps



b) For each screw, install through split washer then flat washer

c) Insert Rear Stabilizer into the metal bracket

d) Install each screw through the bottom of the metal bracket, then through the Rear Stabilizer

e) Tighten using the provided hex wrench

Hardware Required:



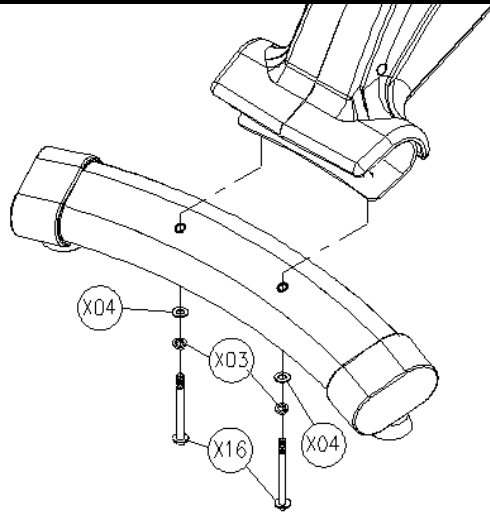
2 M8 x 70 Screws



2 M8 Washers



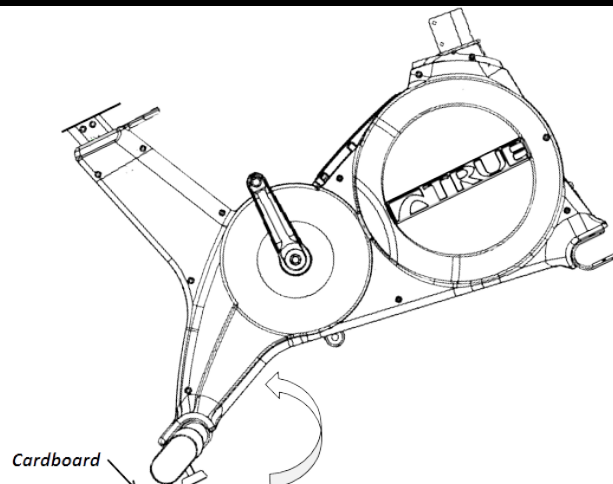
2 M8 Spring Washers



Step 2: Front Stabilizer Bar:

a) Rotate the frame backwards on the Rear Stabilizer

*At least one person should hold the frame, while another person completes the remaining Front Stabilizer installation steps



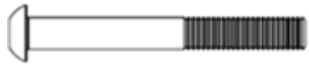
CHAPTER 2: ASSEMBLY INSTRUCTIONS

BIKE ASSEMBLY STEPS (continued):

Step 2: Front Stabilizer Bar (continued):

- b) For each screw, install through split washer then flat washer
- c) Insert Front Stabilizer into the metal bracket
Install each screw through the bottom of the metal bracket, then through the Front Stabilizer
- d) Tighten using the provided hex wrench

Hardware Required:



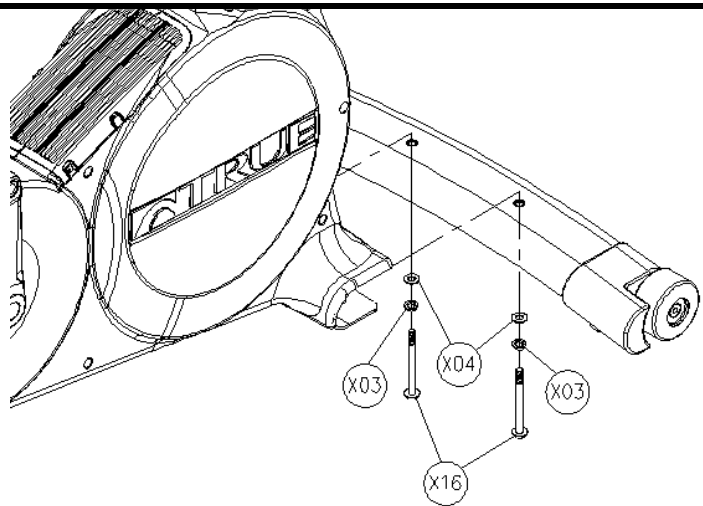
2 M8 x 70 Screws



2 M8 Washers

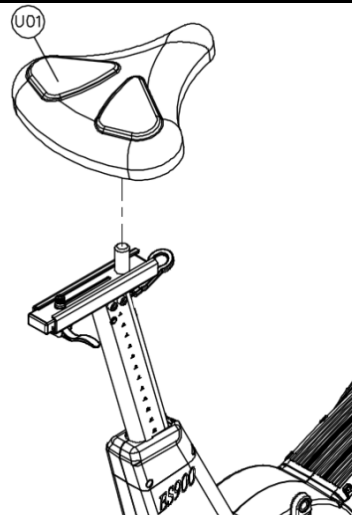


2 M8 Spring Washers



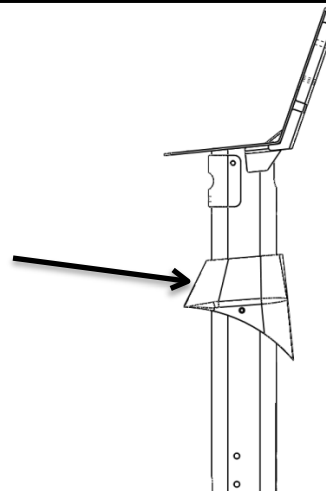
Step 3 Seat Saddle:

- a) Attach the Seat Saddle to the Seat Post.
- b) Adjust Seat Saddle position.
- c) Tighten using the provided wrench.



Preparation for Step 4:

- a) Install the Mast Boot component (including rubber gasket) onto the Front Mast tube
- b) Verify that the Mast Boot is installed in the correct orientation as shown.

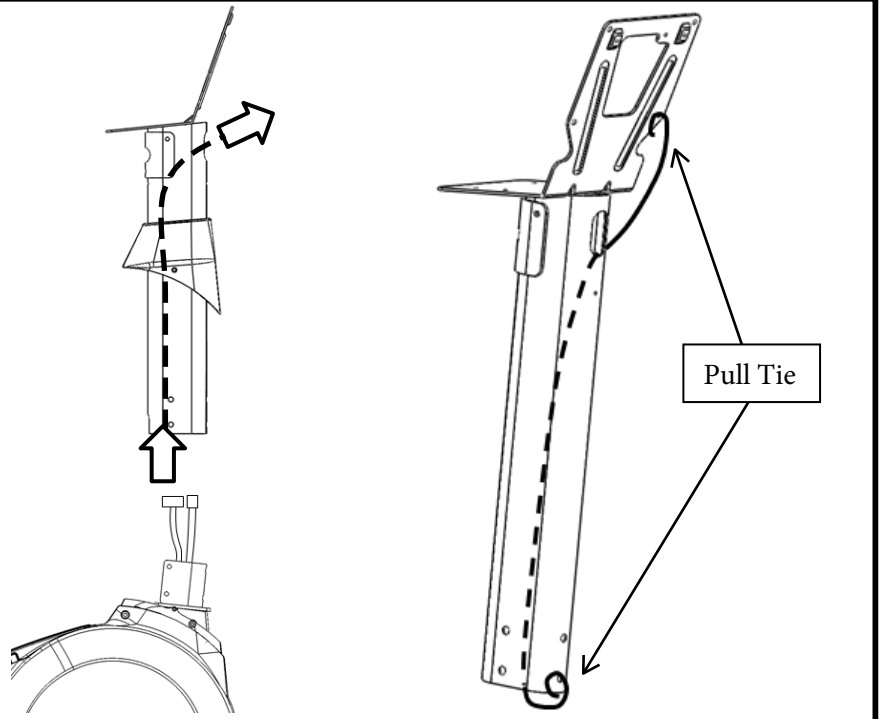


CHAPTER 2: ASSEMBLY INSTRUCTIONS

BIKE ASSEMBLY STEPS (continued):

Step #4 Front Mast Cable Routing:

- a) Pull the cable bundle coming from the base of the unit through the front mast using the pull tie provided with the mast.



Step #5 Front Mast:

- a) For each screw, install through split washer then flat washer
b) Insert the Front Mast onto exposed bike frame U-bracket; pay special attention not to pinch any wires between the Front Mast and the frame
c) Verify that the Front Mast is in the correct orientation
d) Secure the Front Mast to the bike frame by tightening all 6 screws with the provided hex wrench
e) Verify that the Front Mast is secured tightly to the bike frame; tighten screws if necessary

Hardware Required:



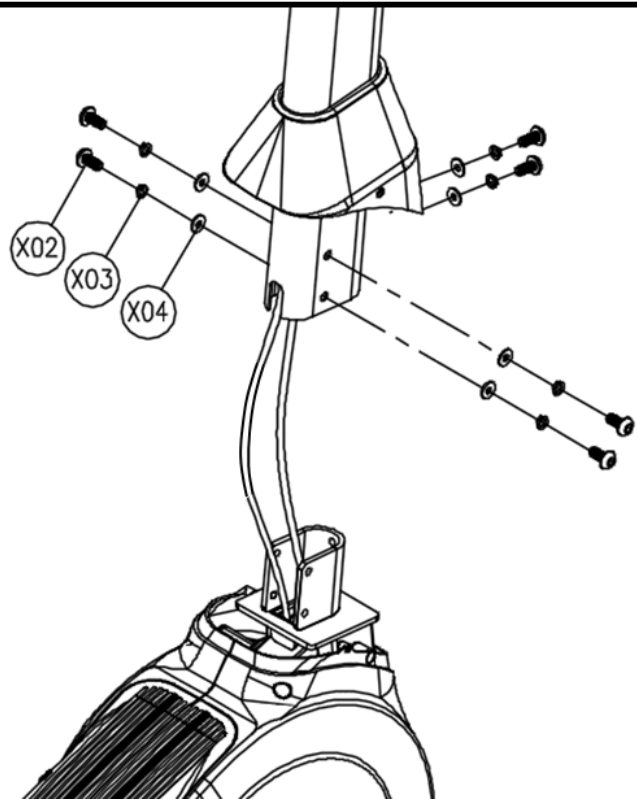
6 M8 x 20 Screws



6 M8 Washers



6 M8 Spring Washers



CHAPTER 2: ASSEMBLY INSTRUCTIONS

BIKE ASSEMBLY STEPS (continued):

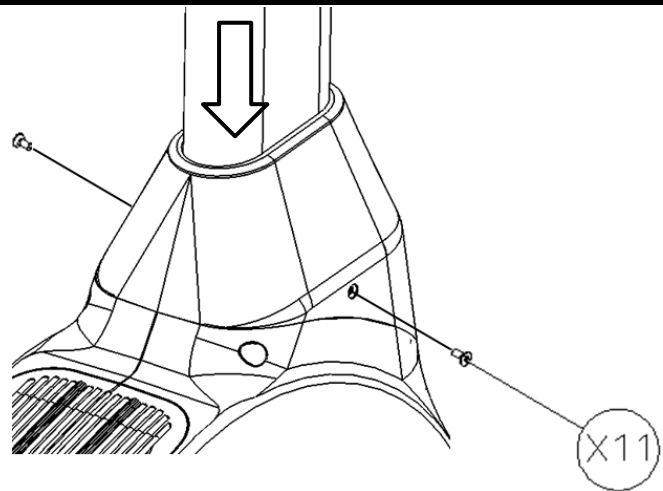
Step #6 Mast Boot:

- a) Pull down the Mast Boot
- b) Attach the Mast Boot to the plastic shrouds by tightening both screws with a Phillips head screwdriver (not provided).

Hardware Required:

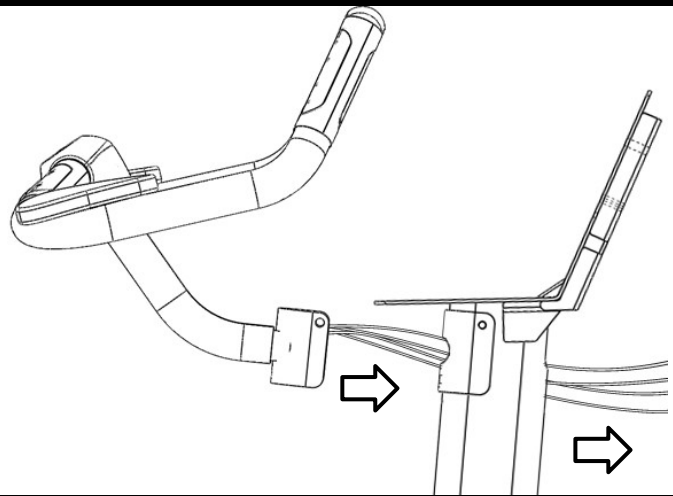


2 M4 x 10 Screws



Step 7: Handlebar Cables

- a) While at least one person holds the Handlebar, another person should direct the Handlebar Cables through the Front Mast.



Step 8: Handlebar Assembly:

- a) Insert the Handlebar U-bracket onto the Front Mast. **DO NOT PINCH CABLES.**
- b) For each screw, install through split washer then flat washer
- c) Secure the Handlebar to the Front Mast by tightening all 3 screws with the provided hex wrench

Hardware Required:



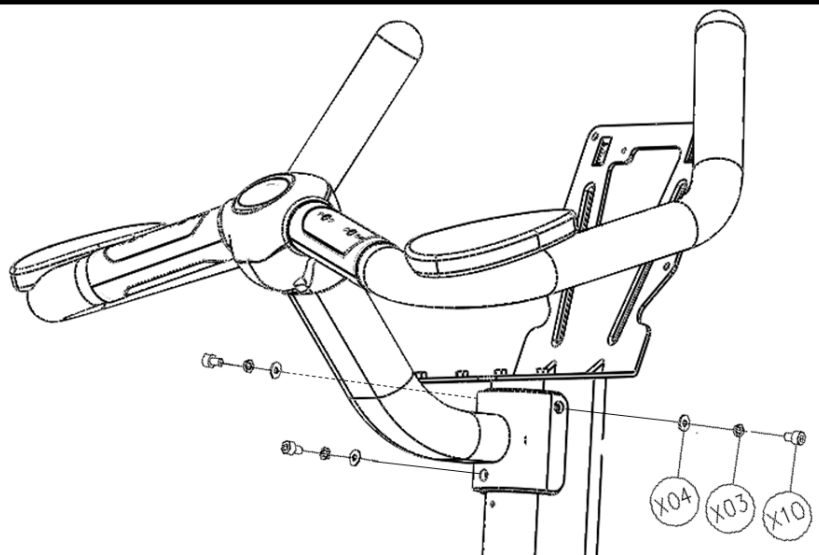
3 M8 x 70 Screws



3 M8 Washers



3 M8 Spring Washers



CHAPTER 2: ASSEMBLY INSTRUCTIONS

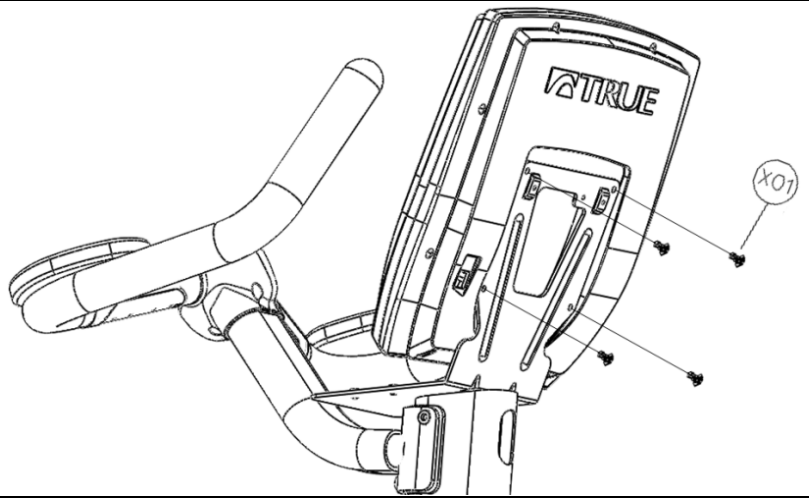
BIKE ASSEMBLY STEPS (continued):

Step #9 Console Mounting:

- a) Align the back of the Console with the Front Mast Console Mounting Plate
- b) Attach the Console to the Mounting Plate by tightening all 4 screws with a Phillips head screwdriver (not provided).

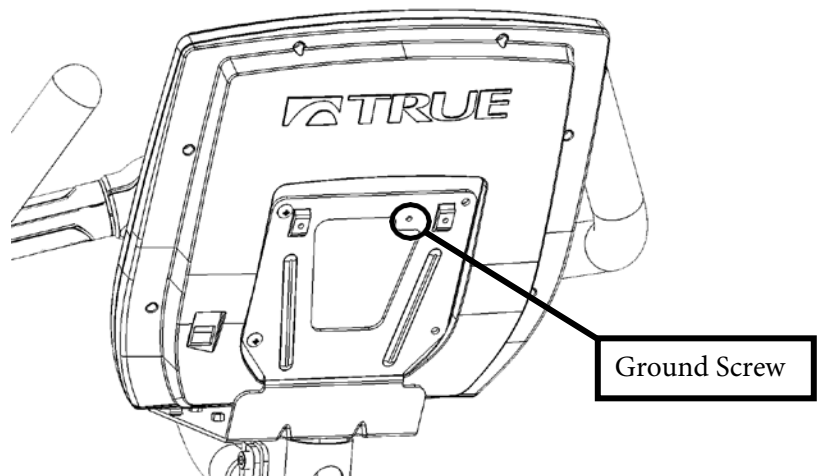
Hardware Required:

*Included with console.

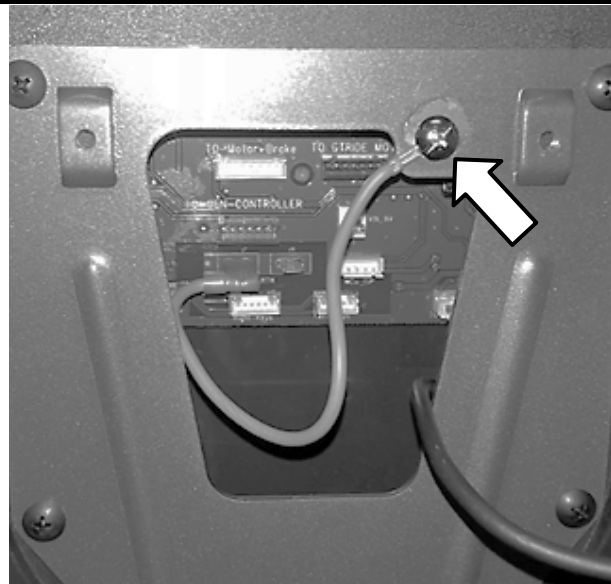


Step #10 Cable Connections :

- a) Locate the ground screw; pre-installed into the back of the Front Mast Mounting Plate
- b) Remove the ground screw with Phillips head screwdriver (not provided)



- c) Thread the shaft of the ground screw through the metal ring attached to the console Ground Wire
- d) Re-attach the ground screw to the Front Mast Mounting Plate
- e) Verify that the metal ground ring is compressed between the head of the ground screw and the Front Mast Mounting Plate




CHAPTER 2: ASSEMBLY INSTRUCTIONS

BIKE ASSEMBLY STEPS (continued):

Step #10 Console Cable Connections (continued):

Orange LED Console



Insert 7-pin Connector

DO NOT Insert 7-pin Connector

Ground Wire (see previous page)

NOT USED; Tuck inside console opening

Connect to 4-pin Connector


NOTE: Ethernet cable connection is not available on the Orange LED Console

CHAPTER 2: ASSEMBLY INSTRUCTIONS

ASSEMBLY STEPS (continued):

Step 13 Console Cable Connections (continued):

9" Touch Console



Connect to 4-pin connector

Connect to 6-pin connector

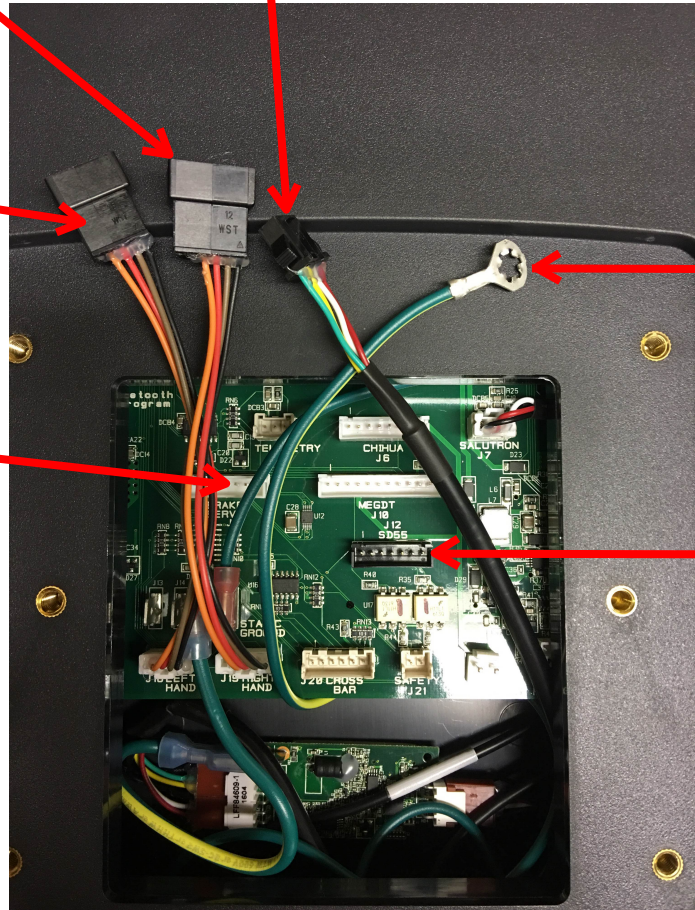
Connect to 5-pin connector

Insert brake servo white 7-pin connector

Ground connector (see next page)

DO NOT insert SD55 black 7-pin connector

All ground wires must be connected



NOTE: Ethernet cable connection is not available on the 9" Touch Console.

NOTE: For the 9" Touch Console, it is important that the 12V, 3A Power Adaptor is installed.

CHAPTER 2: ASSEMBLY INSTRUCTIONS

BIKE ASSEMBLY STEPS (continued):

Step #11 Storage Tray:

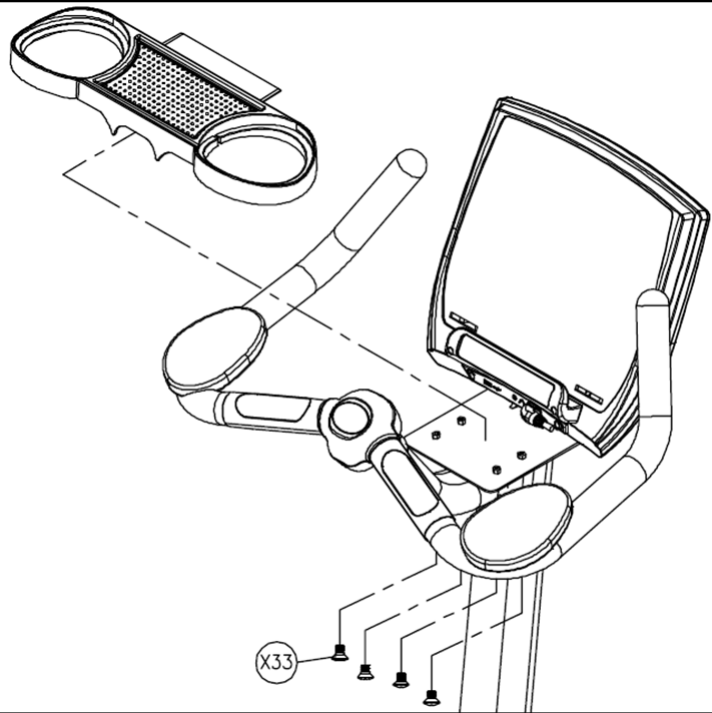
a) Insert the Storage Tray on top of the Front Mast Mounting Plate; pay special attention to make sure that the plastic lip of the Storage Tray is tucked underneath the bottom of the Console

b) Attach the Storage Tray to the Mounting Plate by tightening all 4 screws with a Phillips head screwdriver (not provided)

Hardware Required:



4 M5 x 8 Screws



Step #12 Console Covers:

a) Attach the Front Cover (P13) to the Front Mast using a single (X06; medium) screw; make sure the Front Cover (P13) aligns with the Storage Tray plastic.

b) Align the Back Cover (P22) with the Front Cover (P13) so that the plastic fits together and attach it to the Console Mounting Plate using two (X47; short) screws.

c) Attach the Back Cover (P22) to the Front Cover (P13) using two (X05; long) screws. Attach the Back Cover (P22) to the Front Mast using the remaining (X06; medium) screw.



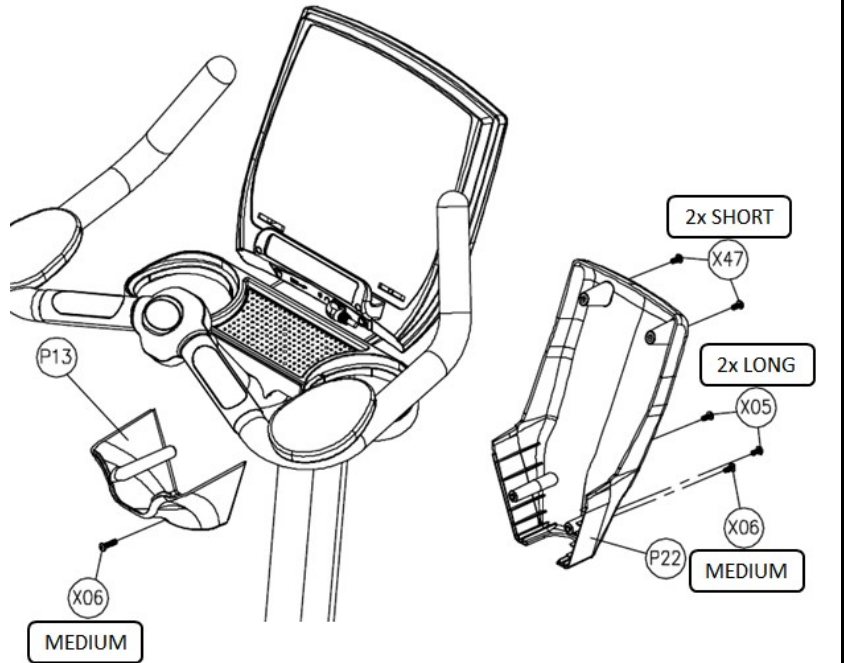
2 M5 x 20 Screws



2 M5 x 10 Screws



2 M5 x 15 Screws



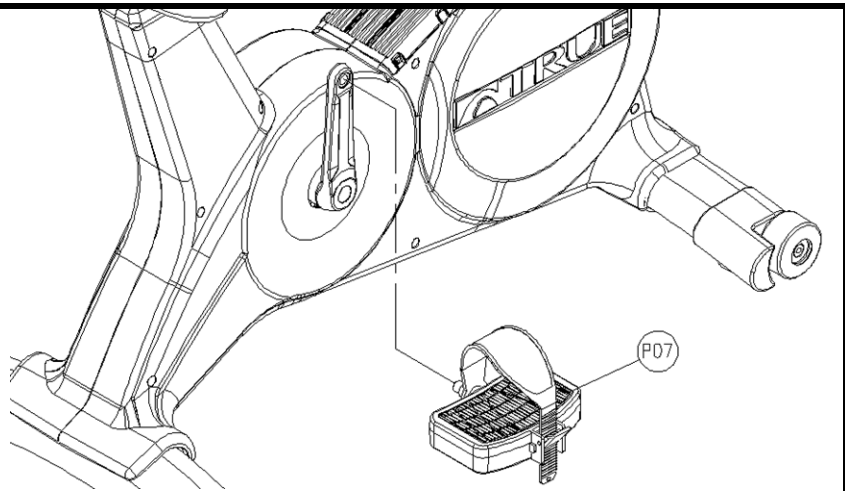
CHAPTER 2: ASSEMBLY INSTRUCTIONS

BIKE ASSEMBLY STEPS (continued):

Step 13: Pedals:

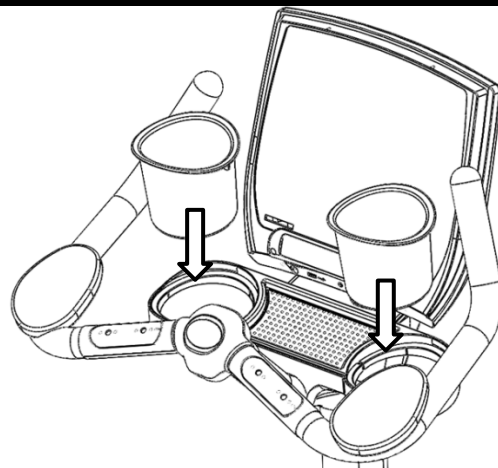
- a) Align the Left Pedal with the Left Crank and the Right Pedal with the Right Crank; pedals should be clearly labeled on the Pedal Strap
- b) Secure each pedal to the appropriate crank using the provided wrench

NOTE: The left pedal is reverse-threaded (turn counter-clockwise to tighten)



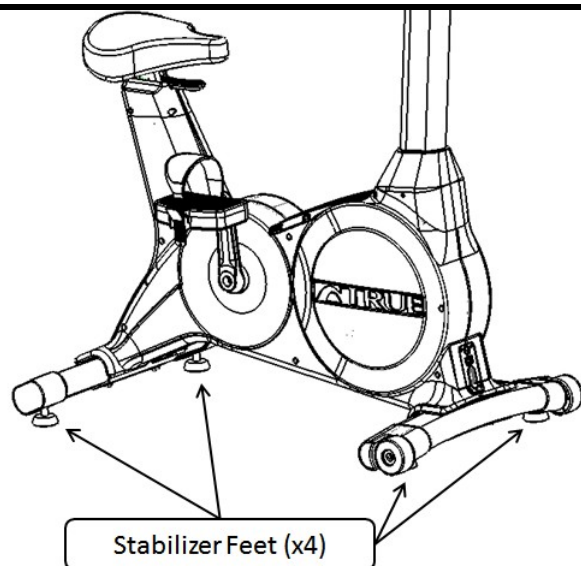
Step 14: Cup Holders:

- a) Insert the cup holders into the storage tray as shown.



Step 15: Unit Leveling (if necessary):

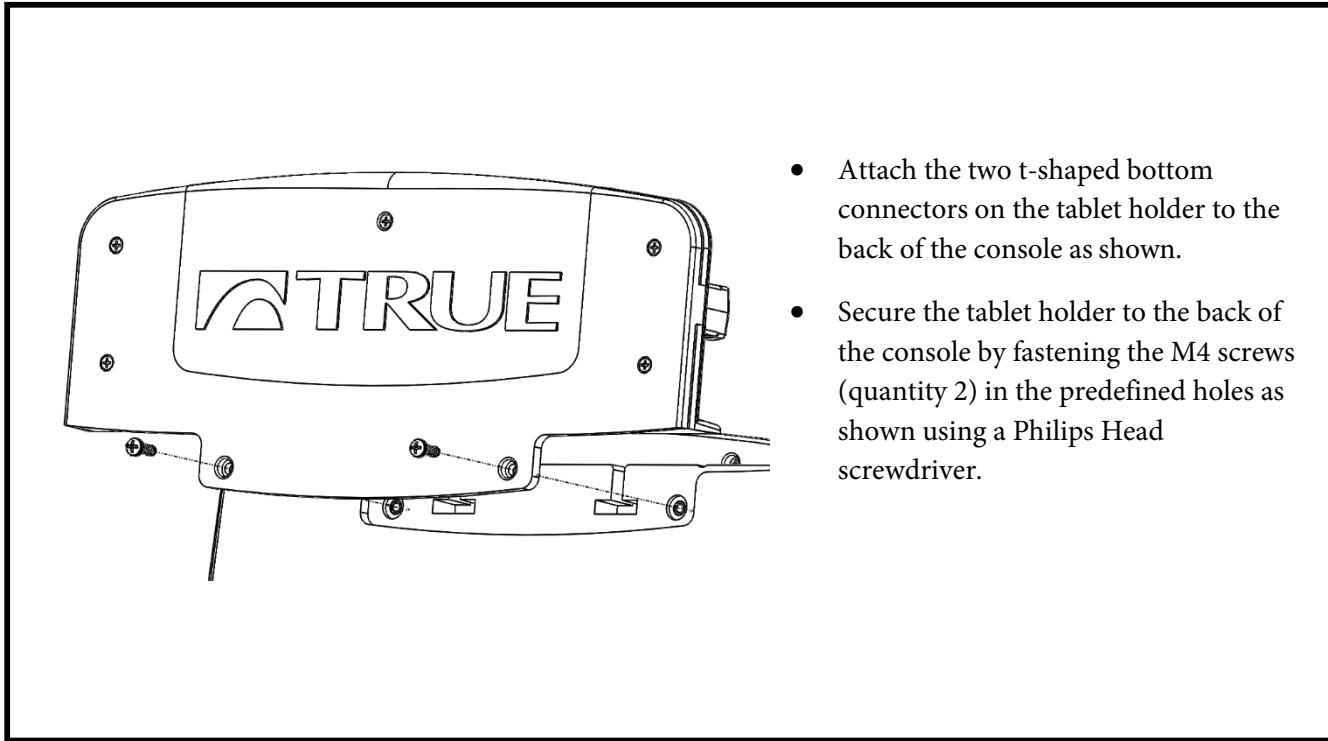
- a) Turn feet (4x, located on the front and rear stabilizer) to adjust the levelness of the unit.



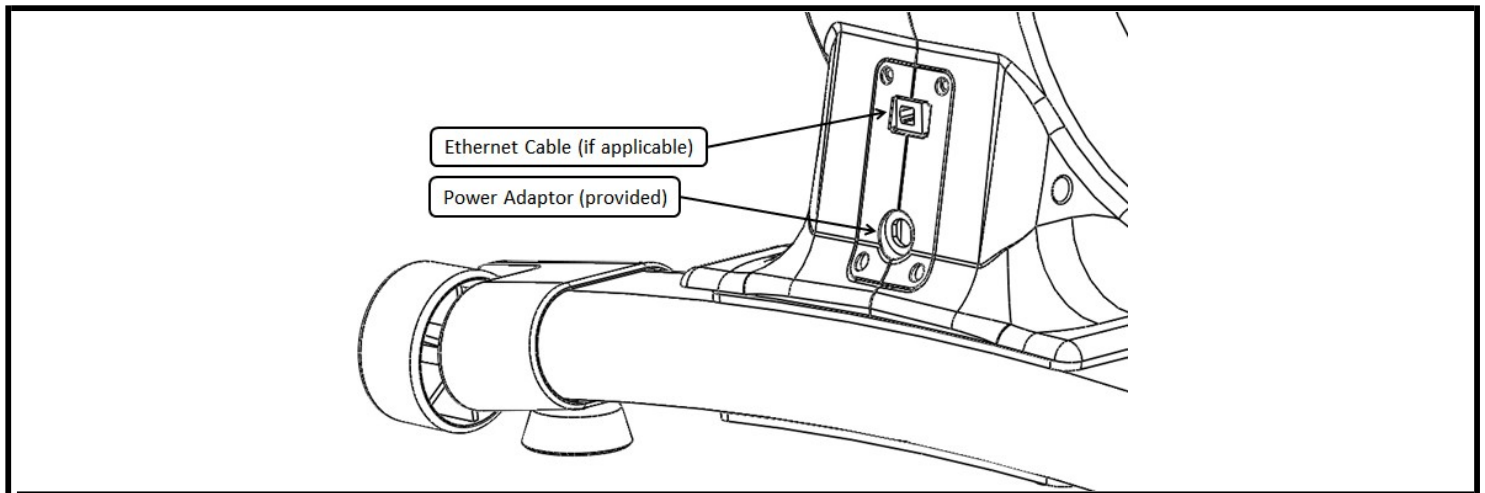
CHAPTER 2: ASSEMBLY INSTRUCTIONS

BIKE ASSEMBLY STEPS (continued):

Step 16 Attach Tablet Holder to Console:



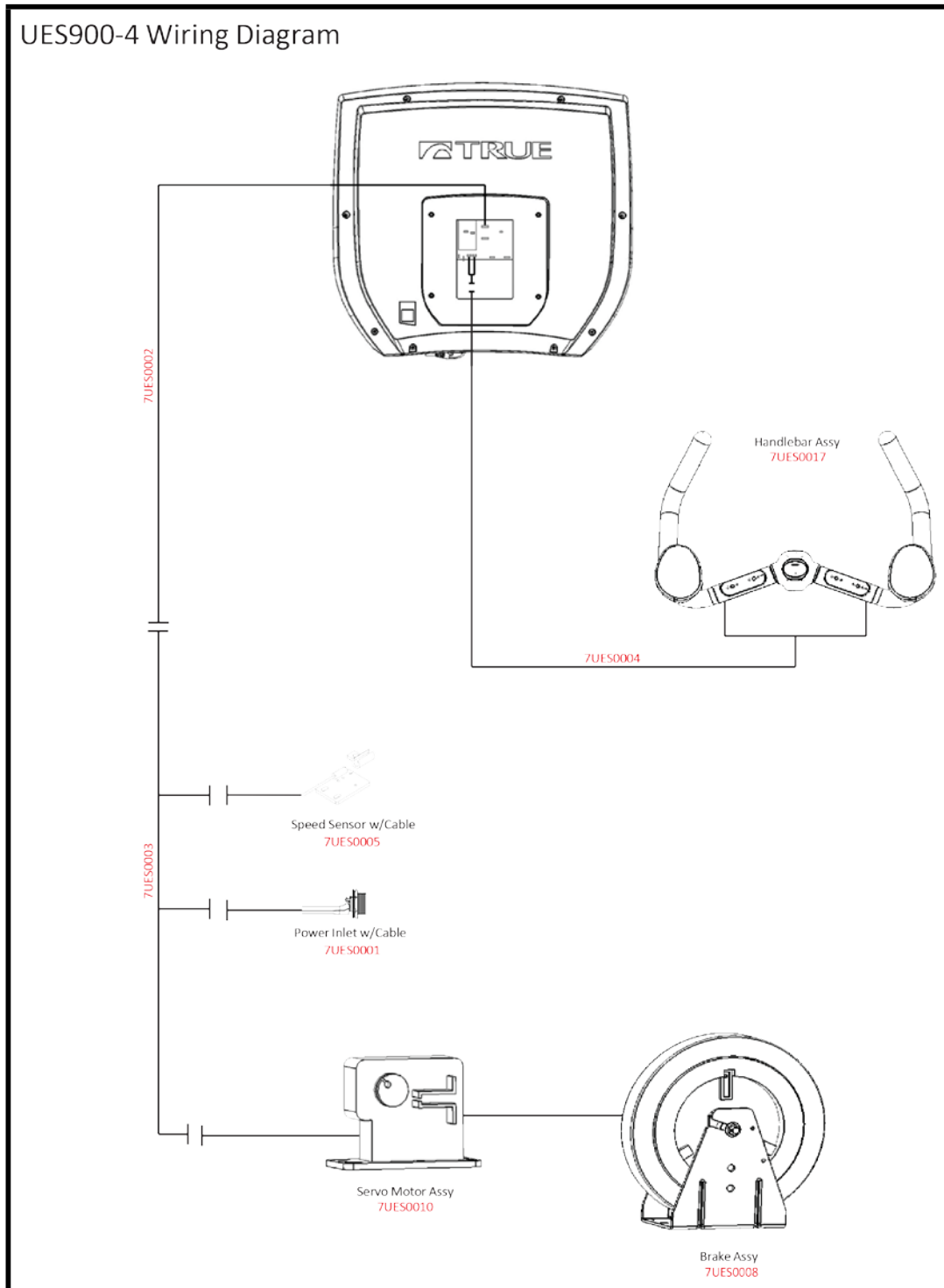
Final Unit Connections:



CHAPTER 2: ASSEMBLY INSTRUCTIONS

BIKE ASSEMBLY STEPS (continued):

Wiring Diagram:



CHAPTER 3: PRODUCT OVERVIEW

UPRIGHT BIKE OVERVIEW:



CHAPTER 3: PRODUCT OVERVIEW

UPRIGHT BIKE OVERVIEW (continued):

Console Assembly:

The Touchscreen console allows the user to set up a workout program and control the bike during a workout.

Contact Heart Rate Pads:

Allows the user to check their heart rate without wearing a wireless chest strap.

Bottle Holder:

Holds an average size drink bottle for convenient use during a workout.

Seat Adjustment Bar:

Used to adjust the position of the seat to a comfortable position for the user.

Pedals:

Moving part of the bike that provides resistance to the lower body during a workout.

Leveling Feet:

An adjustable system used to aid in the leveling the bike.

Quick Access Keys:

Allow the user to enter a Quick Start or Heart Rate Cruise Control workout and adjust the workload during a workout without removing your hands from the contact heart rate pads.

CHAPTER 4: PROGRAMMING & OPERATION

HEART RATE MONITORING:

This bike can monitor a user's heart rate using either a Polar® compatible chest strap or the metal grips on the hand rails (called contact heart rate or CHR pads). A chest strap transmits the user's heart rate to the bike via radio, and the CHR pads connect to a special computer circuit to extract the user's heart rate.

Chest Strap Heart Rate Monitoring:

Although this bike functions fine without using the heart rate monitoring feature, this kind of monitoring gives valuable feedback on the user's effort level. Chest strap monitoring also allows users to use Heart Rate Control, the most advanced exercise control system available.

When users wear a Polar® compatible transmitter strap, the bike will display the user's heart rate as a digital beats-per-minute (bpm) readout.

The transmitter strap should be worn directly against the user's skin, about 1-2 inches below the pectoral muscles/breast line. Women should be careful to place the transmitter below their bra line.

Initially the transmission signal for heart rate may be erratic or non-existent. Some moisture is necessary between the strap and the user's skin for proper transmission. Sweat from exercise works best, but ordinary tap water may be used prior to the workout if desired.



A Note on Chest Strap Heart Rate Monitoring:

The chest strap produces a radio signal that the bike reads and registers as the user's heart rate. The accuracy of a reading may be affected when outside interference is present.

Contact Heart Rate (CHR):

The CHR system will let the user monitor their heart rate without wearing a chest strap. When using the CHR system users should gently grasp the CHR pads with both hands. Within 30 seconds, the user's heart rate should be displayed as digital bpm readout (during the first 30 seconds the system is analyzing and locking in the user's heart rate). Users should exercise with smooth body motions and breathe regularly. It is best to avoid talking while using the CHR system, as talking will cause unrepresentative heart rate spikes of 5 to 10 bpm. To ensure an accurate reading, the user's hands should be clean, free of both dirt and hand lotions.

A Note on CHR Accuracy:

CHR monitoring may be less accurate than chest strap monitoring since the heart rate signals are much stronger at the chest.

HEART RATE CONTROL (HRC):

Introduction:

You are now the owner of the most sophisticated Heart Rate Control equipment available. TRUE HRC is unique and patented. It accommodates users from rehabilitation to world class athletes, and all those in between. TRUE HRC allows users to do a completely adjustment free heart rate controlled workout. By training at a specific target heart rate, users can exercise at a more efficient cardiovascular level.

CHAPTER 4: PROGRAMMING & OPERATION

HEART RATE CONTROL (continued):

The TRUE HRC system is unique because users must enter the key parameters of the workout; target heart rate, weight, age, and time, prior to beginning the HRC workout. As users approach their target heart rate, the bike's computer takes full control over the workout and changes the workout intensity automatically to keep users near their target heart rate. This allows for a completely "hands free" workout.

Target Heart Rate:

TRUE's heart rate control (HRC) workouts let the bike monitor relative exercise intensity by way of the user's heart rate, then automatically adjust the workout intensity to keep the user at their target heart rate and thus their desired exercise intensity. Heart rate is a good measure of the body's exercise stress level. It reflects differences in physical condition, fatigue, the comfort of the workout environment, even diet and emotional state. Users should compare their heart rate with how they feel to ensure safety and comfort.

Consult a physician to determine target heart rate:

Using heart rate to control a workout takes the guesswork out of the workout settings. Consult a physician before using heart rate controlled workouts for advice on selecting a target heart rate range. Also, it is important to use the bike for several workouts in the manual mode while monitoring heart rate. Users should compare their heart rate with how they feel to ensure safety and comfort. After users have spent some time learning how their heart responds to different workout intensity levels, they will have a better understanding of how to use the bike to reach their target heart rate.

Warm Up:

At the beginning of an HRC workout, the bike is in full Manual Control mode. Users should gradually increase the workout intensity to slowly raise their heart rate to within 10 beats per minute (bpm) of their target heart rate. The bike will operate as if in manual mode during the warm up stage. Users control the workout intensity. It is important that the user starts at a low level of perceived exertion and gradually increase the workout intensity over several minutes until they approach their target heart rate. This allows the body to adapt to the workout. Increasing the workout intensity gradually will allow the user to enter the heart rate control stage without overshooting their target, keeping their heart rate within a few bpm of their target.

*Warming up too fast may cause the user to overshoot their target. If this occurs it may take several minutes before the computer software can control their heart rate. Users may overshoot and undershoot for several minutes until control is achieved.

Heart Rate Control Stage:

The bike takes full control of the workout intensity, keeping the user's heart rate within a few bpm of their target. When using the Interval HRC Workout, the bike alternates between work and rest intervals.

Cool-Down:

At the end of the workout time or distance, the bike reduces the workout intensity by half and goes back into Manual Control mode, where users directly control their cool-down.

CHAPTER 4: PROGRAMMING & OPERATION

PROGRAM DESCRIPTIONS:

Available programs vary depending on the console selected. Please refer to the chart below for assistance in determining which programs are available on this unit.

<p>5a` ea`W Abf[a` e</p>	 <p>9" Touchscreen Console</p>	 <p>Emerge</p>
<p>**</p>	<p>YES</p>	<p>YES</p>
<p>*</p>	<p>YES</p>	

Quick Start: **

A workout in which the user controls all settings. The workout continues until it is ended by the user

Manual: **

Users enter their weight, workout time or distance. The user controls the workout intensity throughout the workout.

Hill Intervals: **

Hill intervals are in 2-minute segments with increased WORKLOAD to simulate hills.

Rolling Hills: **

A series of gradual increasing and decreasing WORKLOAD changes that simulate rolling hills. Users can adjust their LEVEL at any time during the workout to increase or decrease intensity of the hills.

Single Hill: **

WORKLOAD increases to a maximum at the mid-point of the workout, then decreases to the finish to simulate one big hill.

Random Hills: **

A WORKLOAD profile that changes to simulate random hills. Users can adjust their LEVEL at any time during the workout to increase or decrease the intensity of the hills.

CHAPTER 4: PROGRAMMING & OPERATION

PROGRAM DESCRIPTIONS (CONTINUED):

Glute Buster: *

A changing WORKLOAD profile simulates hilly terrain to promote intense glute muscle use.

Calorie Goal: *

This workout allows users to choose the number of calories they wish to burn within a specified workout time. The WORKLOAD will adjust automatically to attain this goal.

Cardio Challenge: *

WORKLOAD and suggested PACE (RPM increase to a maximum at the mid-point of the workout, then decrease to the finish.

Pace Intervals: *

This workout suggests PACE (RPM intervals in 1-minute segments. The PACE SETTER shows the target pace along with the user's actual pace (RPM throughout the workout.

Pace Ramp: *

This workout suggests PACE (RPM increases to a maximum at the mid-point of the workout, and then decreases to the finish. The PACE SETTER shows the user's target pace throughout the workout.

Leg Shaper: *

A workout that suggests PACE changes to work the leg muscles with added intensity.

Distance Workouts:

Choose any one of our 4 common distance workouts - 5k, 10k, 2 mile or 4 mile.

Saved Workouts: *

Access to previously saved workouts.

Custom Pace: *

Users set up their own speed intervals. Easy to change setup screens allow users to customize any PACE SETTER (RPM profile to add variation to their cardio session.

Custom Ultra: *

If users are having trouble finding a workout that fits their specific needs, try setting up the Custom Ultra! This completely customizable workout setup allows WORKLOAD and PACE SETTER interval control as well as the ability to control interval time.

CHAPTER 4: PROGRAMMING & OPERATION

PROGRAM DESCRIPTIONS (continued):

HRC Cruise Control: **

While in any program, Cruise Control will allow the user to set current heart rate as target heart rate by pressing a single button. The Cruise Control program takes control of WORKLOAD to maintain the users target Heart Rate. If Beats Per Minute exceeds the target by more than 12 BPM the workout will end and Cool Down will begin.

HRC Target: **

Users choose their target heart rate. The workout begins in MANUAL control – Users should gradually increase WORKLOAD until their heart rate is within 10 bpm of their target. At this point, the machine takes control of WORKLOAD to maintain the user's HR within a few beats of their target.

HRC Weight Loss: *

Based on age, this is a heart rate controlled workout at 65% of the user's maximum heart rate. This creates efficient fat burning without overtraining. The workout begins in MANUAL control –Users should gradually increase WORKLOAD until their heart rate is within 10 bpm of their target. At this point the machine takes control of WORKLOAD to maintain the user's HR within a few beats of their target.

HRC Aerobic: *

Based on age, this is a heart rate controlled workout at 80% of the user's maximum heart rate. This keeps users in the optimum aerobic training range to improve cardio fitness. The workout begins in MANUAL control – Users should gradually increase WORKLOAD until their heart rate is within 10 bpm of their target. At this point, the machine takes control of WORKLOAD to maintain the user's HR within a few beats of their target.

HRC Intervals: *

Intervals of WORK and REST determined by target heart rate. The workout begins in MANUAL control – Users should gradually increase WORKLOAD until their heart rate is within 10 bpm of their target. At this point, the machine takes control of WORKLOAD to maintain the user's HR within a few beats of their target. The rest segment will reduce to 65% intensity of work segment.

Fitness Test: *

A fitness test used to estimate the user's VO2 max.

Bike Mode Workouts: *

These workouts simulate riding a 21-speed road bike. The resistance changes to constant torque against the pedals and calculates speed for a more realistic biking experience.

CHAPTER 4: PROGRAMMING & OPERATION

OVERVIEW:

Touchscreen Display

Warning Decal



USB Port

Headphone Jack

Reading Rack

Truefitness.com / 800.426.6570 / 636.272.7100

CHAPTER 4: PROGRAMMING & OPERATION

OVERVIEW (continued):

Touchscreen Display:

Used to monitor or control a work out and for feature navigation.

GO Quick Start:

Allows the user to begin a Quick Start workout or preset workout.

Reading Rack:

A ledge on the console can be used to hold a book, magazine, e-reader, or tablet computer during a workout.

USB Port:

Allows users to export workout data to an external USB drive or update the console software.

Headphone Jack:

Standard 3.5mm audio jack used to connect headphones to the console during media playback.

Warning Decal:

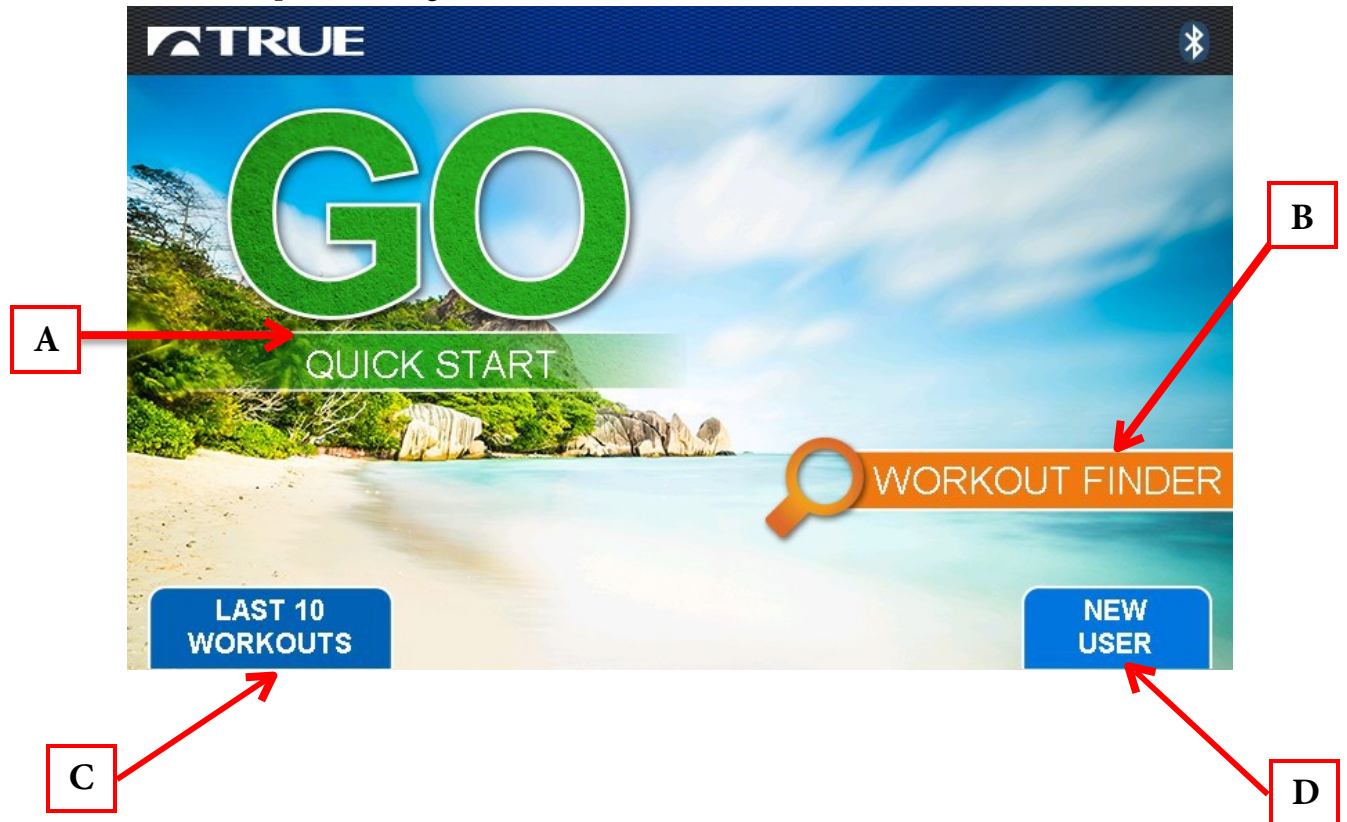
Important safety information for users to review prior to using the equipment.

CHAPTER 4: PROGRAMMING & OPERATION

CONSOLE NAVIGATION:

Home Screen:

The Home Screen is displayed on the console when there is no workout in progress. From this screen the user is able to select from various options to begin a workout.



A) GO Quick Start

Starts a Quick Start workout in which the user controls all settings until the workout is ended.

B) Workout Finder

Displays preset workouts categorized by goal focus categories.

C) Last 10 Workouts

Displays the last ten (10) workouts (latest first) for the user to select. Shows the type of workout and the time duration set up for it.

D) New User

Allows the user to set up or edit a personal profile for use during a workout. Records user Name, Age and Weight. It also gives the new user the option of selecting a Saved Workout, finding a new workout or connecting (pairing) to an external device such as a Mobile App., Heart Rate Monitor or Music Player.

CHAPTER 4: PROGRAMMING & OPERATION

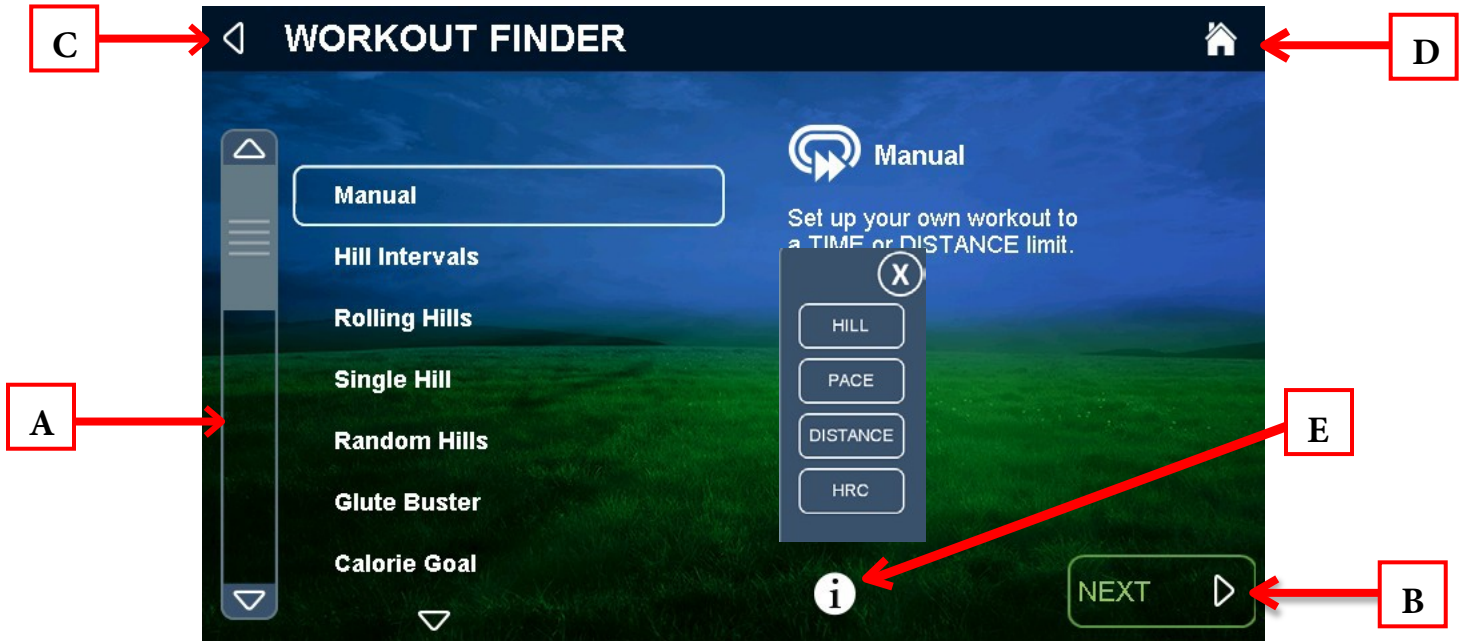
CONSOLE NAVIGATION (continued):

Selecting a Preset Workout:

Access preset workouts by touching Workout Finder on the home screen. View the workouts by using the scroll bar (A) to sweep up and down the selection list, highlight the desired workout, and touch Next (B) to select it.

Touching the "i" (E) button will display a menu that allows the user to highlight related types of workouts in the list.

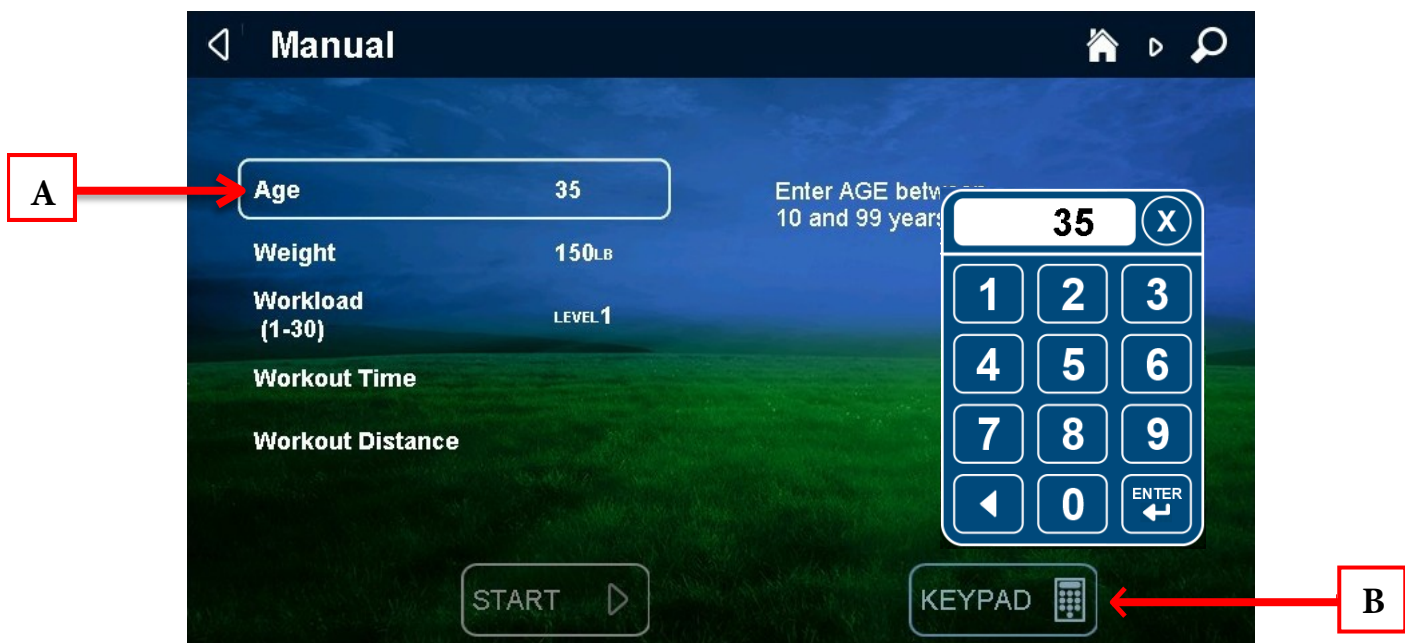
Note: Touch the back arrow (C) to return to the previous screen. Touch the "Home" (D) icon to return to the Home screen.



Workout Data Entry Screen:

This screen allows users to input their personal information or workout goals prior to beginning a workout. To set a value, touch and highlight the value you wish to change (A) touch the Keypad button (B) to display the keypad and type in the desired value on the keypad.

Note: Workout Data Entry Screens vary by program selection.

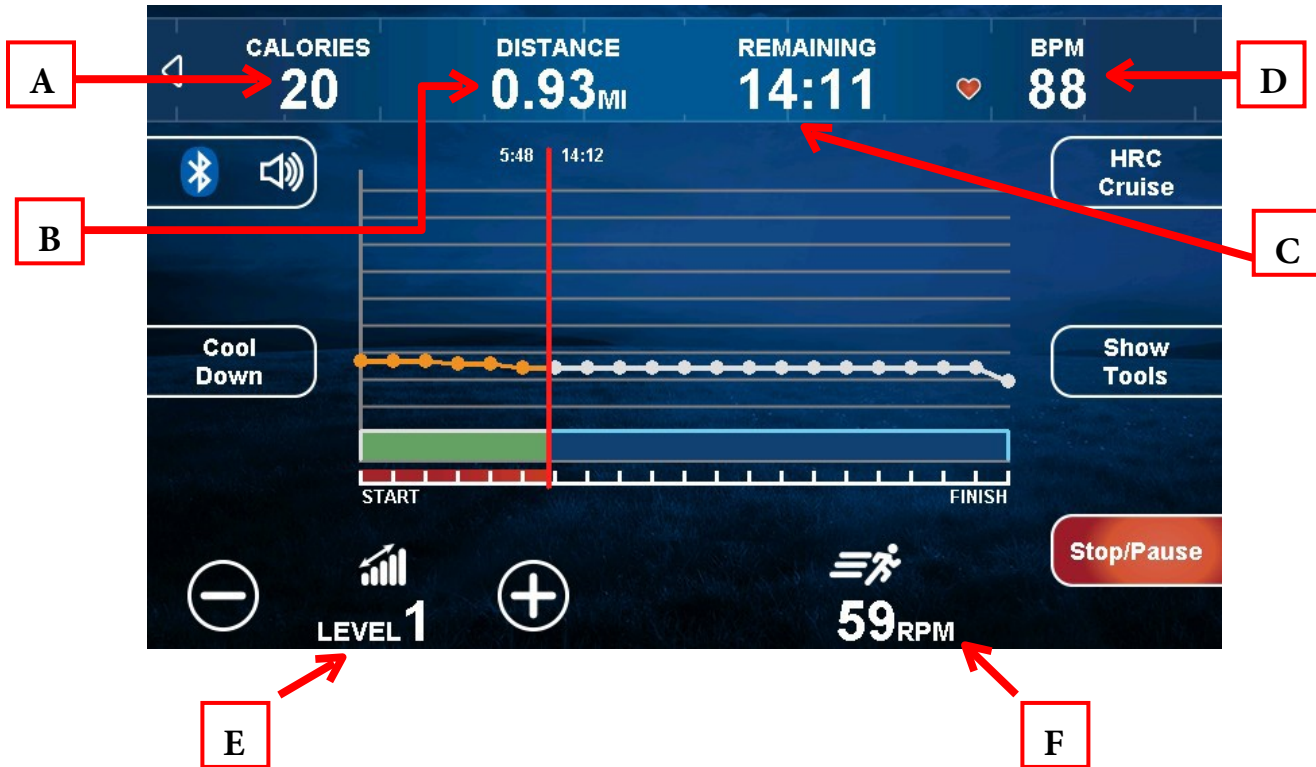


CHAPTER 4: PROGRAMMING & OPERATION

CONSOLE NAVIGATION (continued):

Workout Data Screens:

During any workout, a Workout Data Screen will be displayed to give the user a comprehensive visual overview of their current workout data.



A) Calories / METS Display:

During the workout, this display will alternately show the calories burned and the METS (Metabolic Equivalent) calculation up to the current moment of the workout.

B) Distance:

Displays the virtual distance traveled up to the current moment of the workout.

C) Time / Remaining:

During the workout, this display will alternately show the time elapsed in the workout and the time remaining before the workout ends. (Note: This field will not populate during a Quick Start or Manual workout.)

D) Heart Rate:

Shows the user's heart rate in a digital beats per minute (BPM) readout.

E) Level:

Displays the resistance of the pedals in terms of pedaling up an incline. Touching the "-" and "+" buttons allows the user to decrease or increase the resistance.

F) RPM (Revolutions Per Minute):

Shows the speed the user is maintaining in terms of the number of revolutions of the pedals per minute.

CHAPTER 4: PROGRAMMING & OPERATION

CONSOLE NAVIGATION (continued):

Workout Data Screen Controls:

The Workout Data Screens contain various controls that allow users to adjust workout settings and to customize their overall workout experience.



- A) Change View:

There are three Workout Data Screen views available. Switch between the screens by touching the center of the display.



- B) Cool Down:

Touching this button allows the user to end their current workout with a two minute low intensity cool down period. When Cool Down is activated the unit is in manual mode and the user directly controls all settings.

- C) HRC Cruise Control:

Engages Heart Rate Control to allow the equipment to maintain the user's current heart rate through automatic workload adjustments (when the user is utilizing heart rate monitoring).

CHAPTER 4: PROGRAMMING & OPERATION

CONSOLE NAVIGATION (continued):

- D) Source:

For Bluetooth Audio and to pair a mobile device with the console name on the screen. The user is given control over volume adjustments, mute and channel navigation.



- E) Show Tools:

Touching the "Show Tools" button (A) will display various options. Touching "Bike Mode" (1) toggles it on, displays the MPH dial (2), and simulates riding a 21-speed (3) road bike. The resistance changes to constant torque against the pedals and calculates speed (4) for a more realistic biking experience. Touching the "+" and "-" keys (3) will change the simulated gears. Touching the KPH / MPH Button (5) will toggle between having all values displayed as English or Metric units. Touching the "Heart Rate Workout Data" (6) button allows the user to choose the type of Bluetooth Heart Rate device.



CHAPTER 4: PROGRAMMING & OPERATION

CONSOLE NAVIGATION (continued):

- F) Stop / Pause:

The "Stop Pause" button allows the user to pause the current workout or stop it altogether and begin a two minute cool down.

Workout Summary Screen:

At the end of a workout the Summary Screen will display an overview of the workout data (A). The workout data can be exported to another device through the Bluetooth connection. Return to the Home Screen (B) by touching "Home".

The screenshot shows the 'WORKOUT SUMMARY' screen. On the left, there is a list of metrics. A red box labeled 'A' has an arrow pointing to the 'AVERAGE PACE' metric. On the right, there is a table with three columns: 'WORKOUT', 'COOL DOWN', and 'TOTAL'. At the bottom right, there is a 'HOME' button with a house icon. A red box labeled 'B' has an arrow pointing to the 'HOME' button.

	WORKOUT	COOL DOWN	TOTAL
ELAPSED TIME	109:01	:00	109:01
AVERAGE HEART RATE	88	-	88 BPM
MAXIMUM HEART RATE	105	-	105 BPM
AVERAGE PACE	60 RPM	0 RPM	60 RPM
MAXIMUM PACE	63 RPM	0 RPM	63 RPM
DISTANCE	17.48	0.00	17.48 MI
CALORIES	378	0	378

CHAPTER 4: PROGRAMMING & OPERATION

ADVANCED CONSOLE FUNCTIONS:

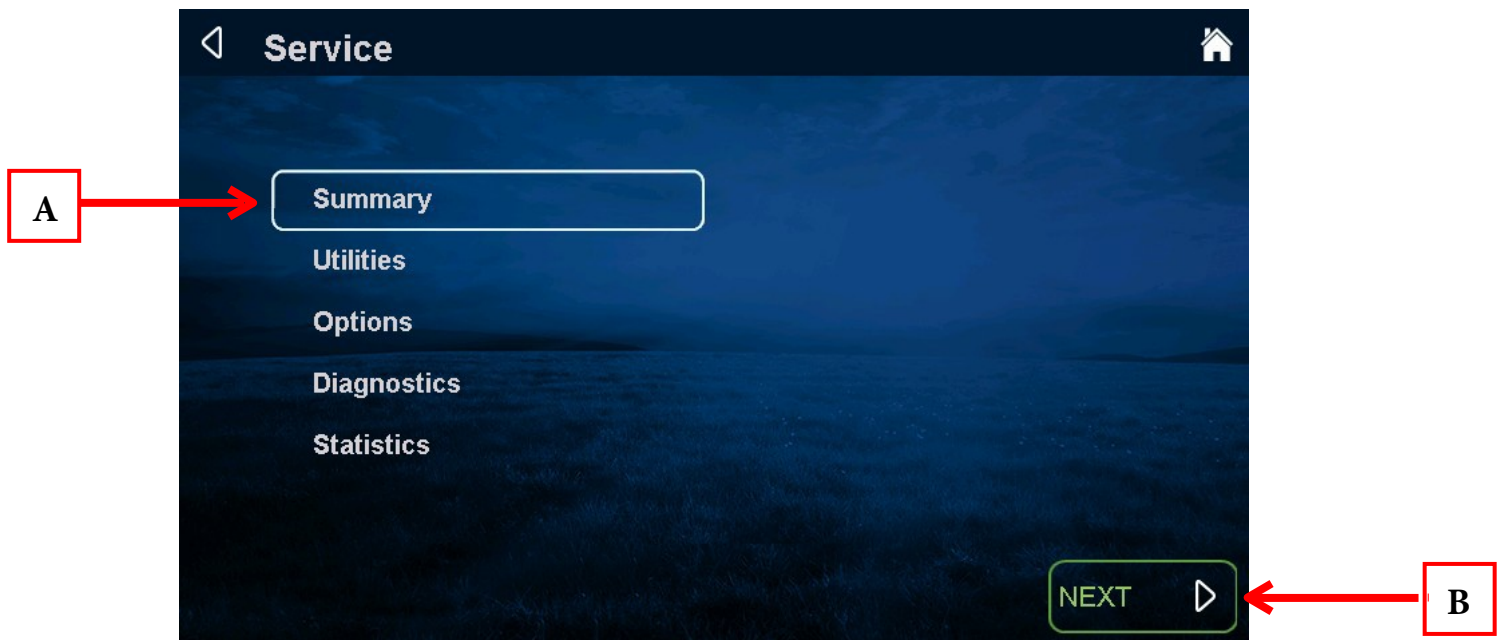
Entering Service Mode:

Entering Service Mode can be completed by touching and holding the upper left section of the screen (A) for 3-5 seconds or until the TRUE logo begins to blink. Then touch and hold the "Workout Finder" icon (B) until "Service" screen displays.



Service Menu:

The first screen displayed after entering service mode is the Service Menu. From this menu technicians can access all of the service mode features by selecting different categories. Touch an item to highlight a category (A) then touch the "Next" button.



CHAPTER 4: PROGRAMMING & OPERATION

ADVANCED CONSOLE FUNCTIONS (continued):

Summary Screen:

The Summary Screen provides an overview of the unit's current settings (values cannot be changed in this screen).



A) Product Model:

The model number that the console is currently configured to.

B) Software Version:

The current version of software that is installed on the console.

C) Units:

Displays the units the console is currently using as default (U.S. or Metric).

D) Max Watts:

Displays the maximum power the unit is capable of producing.

E) Max User Weight:

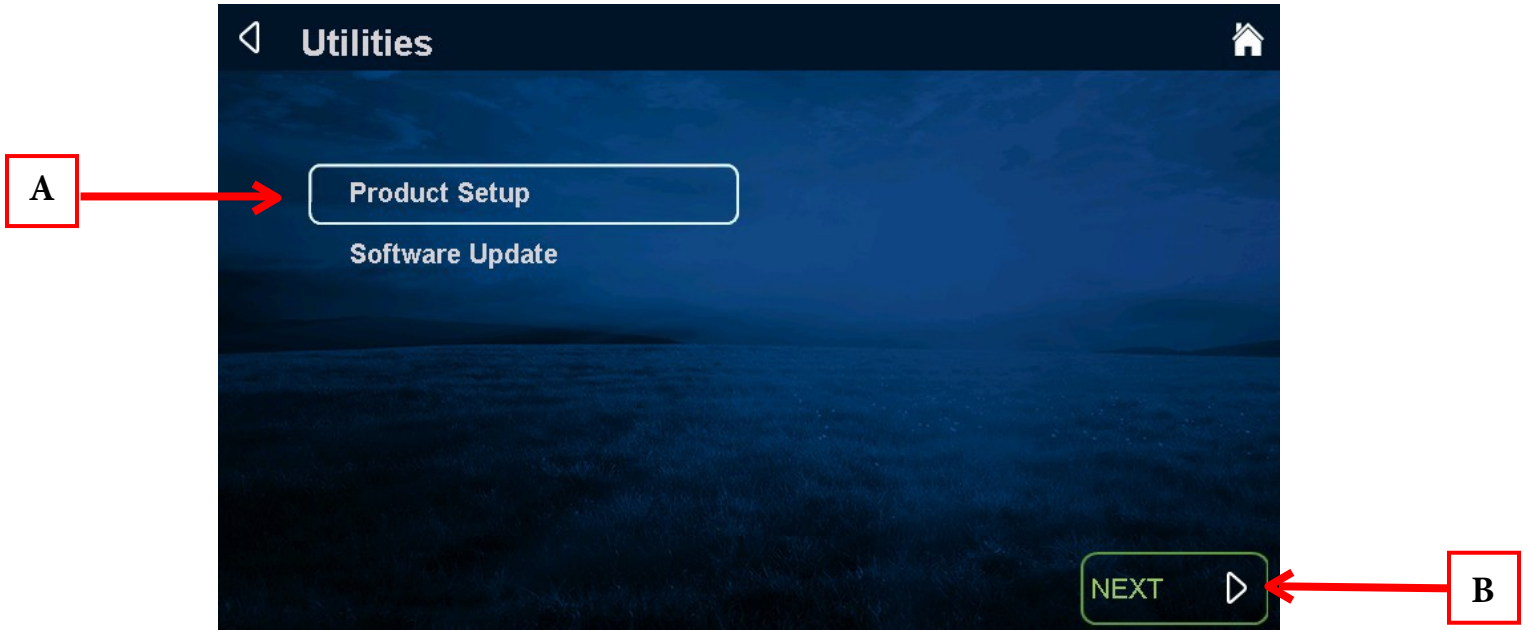
The amount of user weight that the unit can support.

CHAPTER 4: PROGRAMMING & OPERATION

ADVANCED CONSOLE FUNCTIONS (continued):

Utilities Menu:

The utilities menu contains multiple screens that allow the technician to change various console settings. Settings are broken down into two categories - "Product Setup" and "Software Setup". To adjust settings, touch and highlight a category (A) and then touch the "Next" button (B) to start the process.

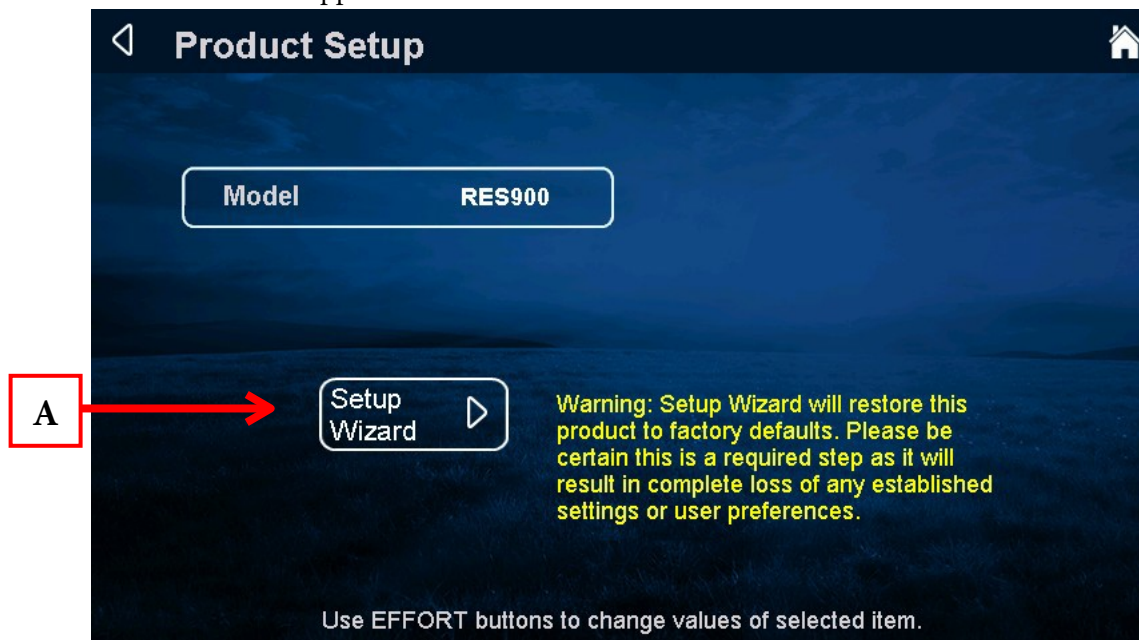


Utilities Menu - Product Setup:

The product setup screen allows for adjustments to be made to the model configuration, TRUE's recommendation is to only use the Setup Wizard to adjust these attributes. After touching the Setup Wizard Selection button (A), simply follow the on screen instructions to complete the setup procedure

⚠️ WARNING:

Misconfiguration of the console may cause damage to the unit and void the manufacturer warranty. If necessary, please contact TRUE Fitness Technical Support at 800-883-8783 for assistance.



CHAPTER 4: PROGRAMMING & OPERATION

ADVANCED CONSOLE FUNCTIONS (continued):

Utilities Menu - Software Update:

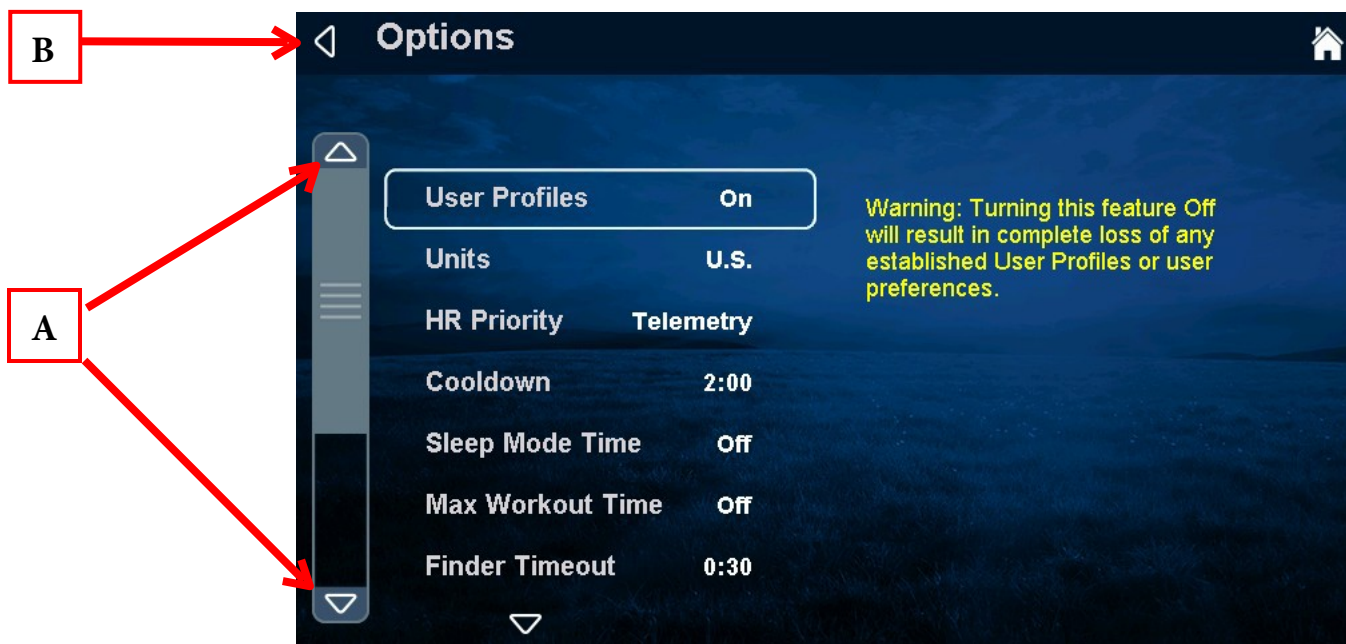
TRUE may periodically release software updates to ensure users enjoy the best workout experience available. Due to the complex nature of this procedure, it is recommended that any software update be completed by a TRUE certified service professional.

CHAPTER 4: PROGRAMMING & OPERATION

ADVANCED CONSOLE FUNCTIONS (continued):

Options Menu:

The options menu contains 12 Settings with various options available for each. To navigate the options menu, use the scroll selection buttons (A) to highlight the option to be changed and use the Workload keys to adjust the options. Once the changes are complete, press the back selection button (B) and the changes will be automatically saved.



Language:

Select a default Language for the unit. All settings and workout data will be displayed in that language.

Units:

Choose how the workout data is displayed by default.

Save Workout:

Turns the saved workout feature on or off.

Heart Rate Priority:

Determines the order in which the unit reads heart rate data.

Cooldown:

Adjusts the length of the cooldown time at the end of a workout.

Sleep Mode Time:

The amount of time the unit can be idle before entering sleep mode. By choosing the “Off” setting, the unit will remain powered.

CHAPTER 4: PROGRAMMING & OPERATION

ADVANCED CONSOLE FUNCTIONS (continued):

Options Menu (continued):

Max Workout Time:

This setting will limit the amount of time that all workouts can last. By choosing the “Off” setting, the time will be unlimited (this setting does not apply to manual workouts or distance workouts).

Finder Timeout:

Choose how long the Workout Finder remains on the screen without any user interaction. By choosing off, the Workout finder will stay open until closed by a user.

Setup Timeout:

Choose how long the workout data entry screen will remain on the display without any user interaction. By choosing the “off” setting, the data entry screen will be displayed until closed by a user

Summary Timeout:

Determines the amount of time the Workout Summary Screen will remain on the display. By choosing the “Off” setting, the summary will be displayed until ended by a user.

Pause Time:

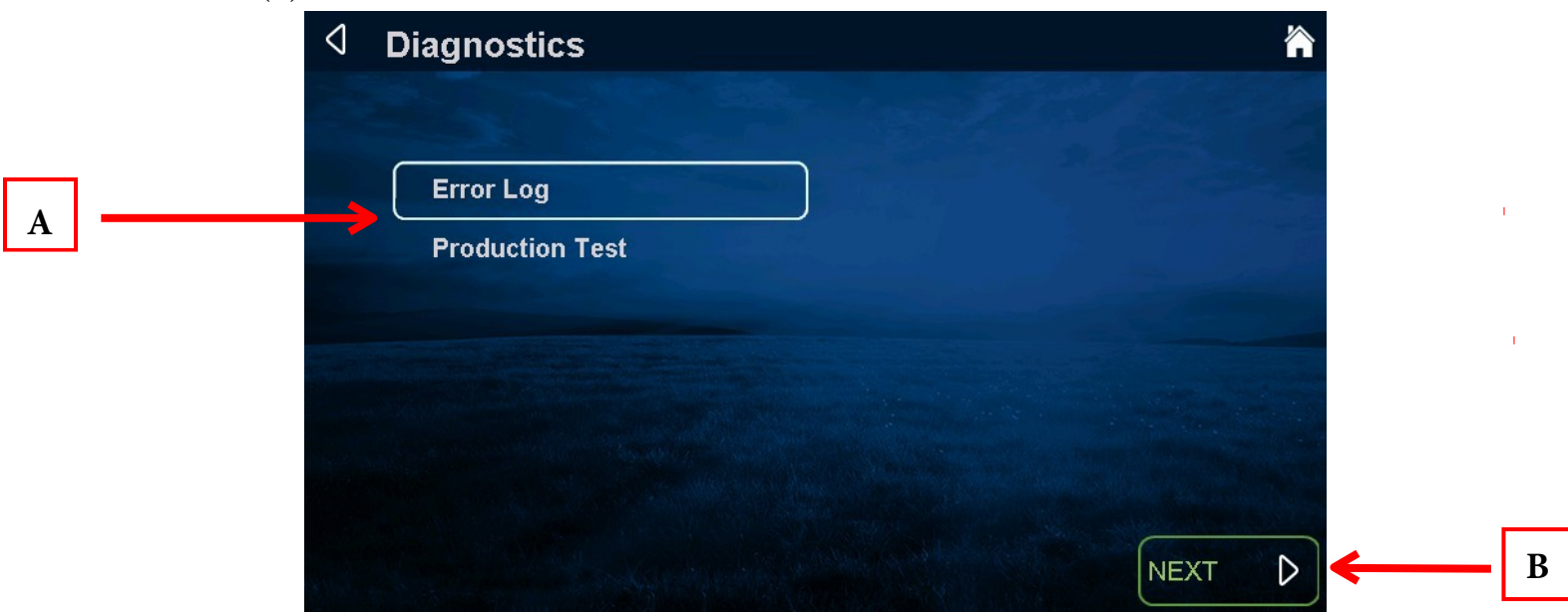
This setting will limit the amount of time that a workout can be paused before it automatically ends. By choosing the “Off” option, the unit will remain paused until the user resumes or ends the workout.

Factory Defaults:

Resets all settings in the options menu to factory defaults.

Diagnostics Menu:

The diagnostics menu contains tools used to help diagnose errors and performance issues. The tools are broken down into three categories. To use a tool, highlight a category (A) by using the scroll selection buttons and pressing the enter selection button (B) to confirm the selection.



CHAPTER 4: PROGRAMMING & OPERATION

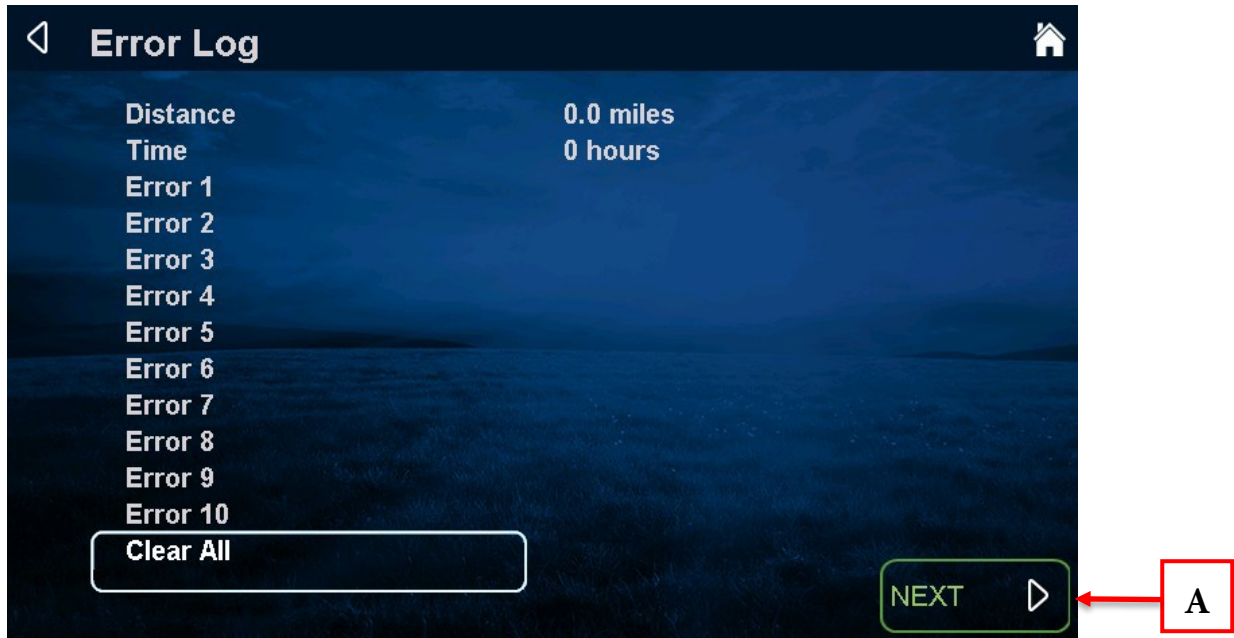
ADVANCED CONSOLE FUNCTIONS (continued):

Diagnostics Menu - Calibration/Test & Production Test:

These menus are currently not used on bikes or ellipticals.

Diagnostics Menu - Error Log:

Error codes are an important part of troubleshooting any issues with the unit. Any time an error occurs it is entered into the error log for review by a service professional. This console is capable of storing the ten most recent errors. The error log can be cleared by pressing the Next button (A), but it is not recommended.



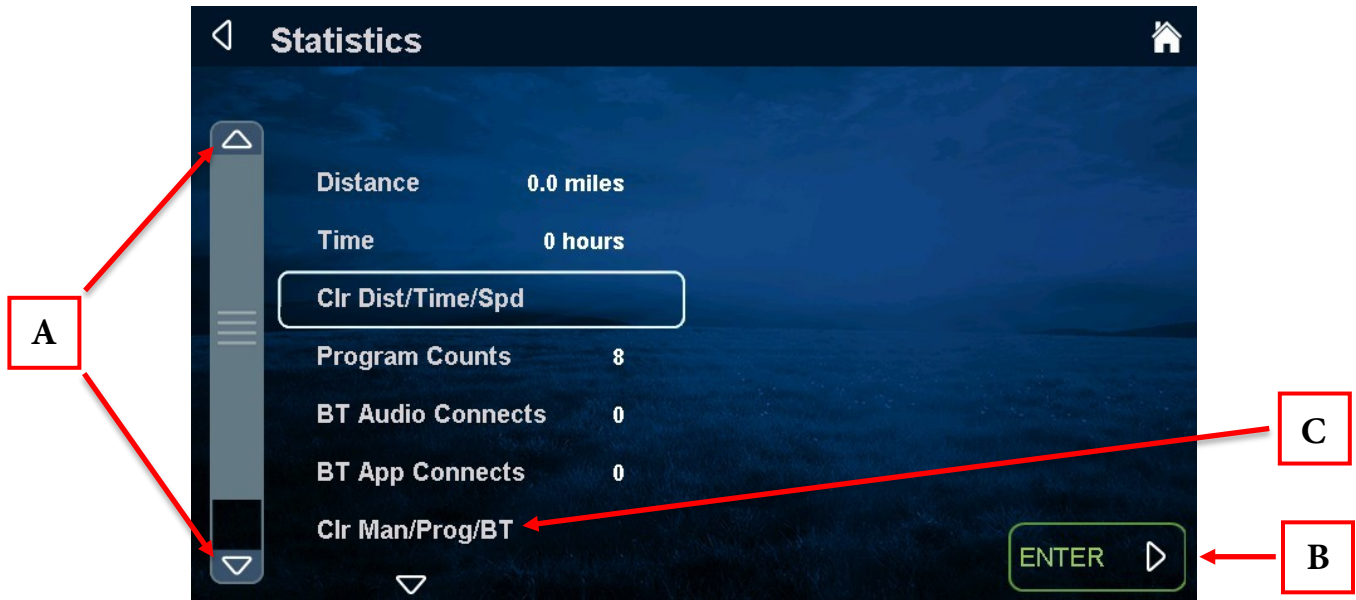
CHAPTER 4A: TOUCHSCREEN OPERATION

ADVANCED CONSOLE FUNCTIONS (continued):

Options Menu:

Statistics:

An overview that includes distance, time, manual program count, preset program count, and apple device connections. These statistics can be exported to a connected USB drive by using the scroll selection buttons (A) to highlight the USB Export option and selecting the Enter button (B). The data can be cleared by selecting Clr Man/Prog/BT (C), but it is not recommended.



CHAPTER 4B: EMERGE OPERATION

EMERGE OVERVIEW:



CHAPTER 4B: EMERGE OPERATION

EMERGE OVERVIEW (continued):

Workload Keys:

Manually increases or decreases the workout intensity.

Start:

Allows the user to begin a Quick Start workout or preset workout.

Workout Finder:

Pressing this button scrolls through available workouts. When the desired workout is displayed, the user must press start to begin the workout.

Change Display:

Toggles the data in the upper LED display between available options.

Reading Rack:

A ledge on the console that can be used to hold a book, magazine, e-reader, or tablet computer during a workout.

Warning Decal:

Important safety information for users to review prior to using the equipment.

Target HRC:

Starts a Target HRC workout.

*See Program Descriptions Section

Enter:

Press this key to confirm a selection in a preset workout.

HRC Cruise Control:

Engages Heart Rate Control to allow the equipment to maintain the user's current heart rate through automatic workload adjustments (when the user is utilizing heart rate monitoring).

Numeric Keypad:

A small panel of keys on the console that allow the user to quickly enter numeric data.

Lower LED Display:

Displays the workout profile of the current program.

CHAPTER 4B: EMERGE OPERATION

EMERGE OVERVIEW (continued):

Upper LED Display:

Shows the workout data of the program in progress in four value displays.



	Value Display #1	Value Display #2	Value Display #3	Value Display#4
Standard Value	<i>Time</i> – The amount of time remaining in the workout.	<i>Distance</i> – An estimate of how far the user has traveled .	<i>RPM</i> –The users pedal cadence.	<i>Heart Rate</i> – Beats per minute display of the user’s heart rate (when using heart rate monitoring).
Value When CHANGE DISPLAY Button is Pressed	<i>Work Level</i> – The selected workload level.	<i>Watts</i> – The amount of mechanical power the unit is receiving from the user.	<i>METS</i> – The user’s metabolic equivalent.	<i>Calories</i> – an estimate of the calories burned. *The estimate does not include the user’s basal metabolic rate.

CONSOLE NAVIGATION:

Selecting a Preset Workout:

To begin a preset workout, press the Workout Finder button (A) until the desired program is shown in the Upper LED Display (B) and then press the Enter button (C).

*To begin a Target HRC Workout, press the HRC Cruise Control button (D) followed by the Enter button (C)



CHAPTER 4B: EMERGE OPERATION

CONSOLE NAVIGATION (continued):

Workout Data Entry:

Before beginning a preset workout, the console will ask the user for information in order to give more accurate workout data. To adjust the Data Value (A), use the Up and Down Workload Keys (B) or use the numeric keypad (C). Once the desired value is displayed, press Enter (D) to move to the next Data Value. Once all data has been entered press Start (E) to begin the workout.



Workout Summary:

Once a workout has ended the console will display a workout Summary which will give the user an overview of their workout which includes; Time, Average Heart Rate, Max Heart Rate, Average RPM, Max RPM, Distance and Calories. To Clear the Summary and return to the home screen press and hold the Enter button (A).



CHAPTER 4B: EMERGE OPERATION

ADVANCED CONSOLE FUNCTIONS:

WARNING:

Misconfiguration of the console may cause damage to the unit and void the manufacturer warranty. If necessary, please contact TRUE Fitness Technical Support at 800-883-8783 for assistance.

Entering Diagnostics Mode:

With the console powered up

Press and hold the + WORKLOAD key for 10 seconds or until the console beeps. NOTE: If the sound is turned off no beep will be emitted from the console.

Continue holding the +WORKLOAD key and simultaneously press the ENTER key.

Use the + or - WORKLOAD keys to select SETUP then press ENTER

Use the + or - WORKLOAD keys to scroll through the available options then press ENTER to select

Use the + or - WORKLOAD keys to adjust options then press ENTER

Use the + or - WORKLOAD keys to scroll to the end of the options list then press ENTER to Exit.

Available options:

- Display Units (English, German, French, or Spanish language)
- Time (Sets the default program time)
- Weight (Sets the default user weight)
- Pause Duration (Time the console will wait before resetting when in a program)
- Sleep (Sets the time the unit will sit unused before the console goes into sleep mode)
- Sound (on or off)
- RPM (Not used)

Setting the Sleep Timer:

The following steps allow the Sleep Timer (time without use after which the console will go dim) to be adjusted. The default Sleep Timer is 30 minutes*.

STEP 1: Press and hold the “Workload +” button until you hear a beep. Continue to hold the “Workload +” button

STEP 2: While holding the “Workload +” button, press the “Enter” button. Release both buttons.

STEP 3: The console display window should read “ENTER MODE SEL”. If this is not visible, repeat steps 1 & 2.

STEP 4: Use the “Workload +” and “Workload -” buttons to cycle through the menu.

STEP 5: When the display window reads “SETUP”, press the “Enter” button.

STEP 6: Use the “Enter” button to cycle through the console setup menu**

STEP 7: When the display window reads “SLEEP TIMER”, use the “Workload +” and “Workload -” buttons to adjust the Sleep Timer feature

STEP 8: Press and hold the “Enter” button to exit

*If a workout has been paused, the Sleep Timer does not begin until the Pause Timer is complete.

CHAPTER 5: CARE & MAINTENANCE

CARE & MAINTENANCE:

It is important to perform the minor maintenance tasks described in this section. Failure to maintain the bike as described here could void the TRUE Fitness Warranty. To reduce the risk of electrical shock, always unplug the unit from its power source before cleaning or performing any maintenance tasks.

Inspection:

TRUE Fitness is not responsible for performing or scheduling regular maintenance or inspections.

Users should inspect the bike daily. Look and listen for slipping belts, loose fasteners, unusual noises, worn or frayed power cords, and any other indications that the equipment may be in need of service. If any of these are noticed, obtain service. Do not attempt to use the bike until proper service has been performed or damaged parts have been replaced.

Important:

If you determine that the bike needs service, make sure that the bike cannot be used inadvertently. Turn the unit off, and then unplug the power cord from its power source. Make sure other users know that the bike needs service.

To order parts or to contact a TRUE Authorized Service representative, please visit www.truefitness.com.

CLEANING THE EQUIPMENT:

After Each Use:

Use GymWipes™ Antibacterial wipes or spray a solution of 30 parts water to 1 part mild detergent to dampen a soft cloth and wipe all exposed surfaces.

Use a LCD/screen cleaner or spray a solution of 1 part 91% isopropyl alcohol and 1 part water to dampen a soft cloth and wipe the surface of the console. This helps remove fingerprints, dust, and dirt.

Weekly:

Vacuum any dust or dirt that might have accumulated under or around the bike or any cover vents.

*Clogged air vents can prevent adequate cooling, causing a shortened life.

▲ CAUTION:

Do not use any acidic cleaners. Doing so will weaken the paint or powder coatings and may void the TRUE Fitness Warranty. Never pour water or spray liquids on any part of the bike. Allow the bike to dry completely before using. Frequently vacuum the floor underneath the unit to prevent the accumulation of dust and dirt, which can affect the smooth operation of the unit.

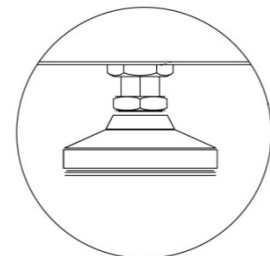
LEVELING THE UNIT:

The bike or elliptical has adjustable feet. Make sure that the running surface is level.

If the bike or elliptical is placed on an uneven surface, adjusting the feet can help, but may not compensate for extremely uneven surfaces.

▲ CAUTION:

If the bike is not level the user may experience knocking or clicking sounds.



CHAPTER 5: CARE & MAINTENANCE

OTHER SCHEDULED PREVENTIVE MAINTENANCE:

TRUE recommends that yearly scheduled maintenance be performed by a qualified service technician. Please contact your dealer or visit www.truefitness.com to contact a local TRUE authorized service technician.

Scheduled Preventive Maintenance:

- Check error log in console.
- Remove shroud covers and vacuum any debris out of the speed sensor, control electronics and moving parts.
- Move unit and vacuum underneath.
- Check belt tension and tracking.
- Inspect all fasteners.
- Inspect all electrical connections.
- Inspect all components for abnormal or premature wear.
- Inspect and lubricate pedal threads on bike to prevent corrosion.

CAUTION:

Use only TRUE Fitness certified service providers.

LONG TERM STORAGE:

When the bike is not in use for any length of time, turn it off. Make sure that the power cord is unplugged from the power source and is positioned so that it will not become damaged or interfere with people or other equipment.

Storing the Chest Strap:

Store the chest strap in a place where it remains free of dust and dirt such as, in a closet or drawer. Be sure to protect the chest strap from extremes in temperature. Do not store it in a place that may be exposed to temperatures below 32° F (0° C). To clean the chest strap, use a sponge or soft cloth dampened in mild soap and water. Dry the surface thoroughly with a clean towel.

CHAPTER 6: CUSTOMER SERVICE

CONTACTING SERVICE:

TRUE Fitness recommends that you gather the serial number, model number, and a brief description of the reason for the request. After information has been gathered you may choose to contact your selling dealer or local service company to set an appointment. (If you are not familiar with who is in your area, you may visit our website at www.truefitness.com and use our dealer locator to obtain the contact information for the closest dealer)

You may also contact TRUE Fitness' customer support team by calling 800.883.8783 or e-mailing us at service@truefitness.com Monday – Friday during normal business hours.

TRUE FITNESS SERVICE DEPARTMENT

865 HOFF ROAD

ST. LOUIS, MO 63366

1.800.883.8783

HOURS OF OPERATION: 8:30 A.M. - 5:00 P.M. CST

E-MAIL: service@truefitness.com

CONTACTING SALES:

Interested in TRUE Products? Please contact us with any sales or product inquiries so that we may direct you to the appropriate sales representative to answer your questions.

TRUE FITNESS HOME OFFICE

865 HOFF ROAD

ST. LOUIS, MO 63366

1.800.426.6570

HOURS OF OPERATION: 8:30 A.M. - 5:00 P.M. CST

E-MAIL: sales@truefitness.com

CHAPTER 6: CUSTOMER SERVICE

REPORTING FREIGHT OR PARTS DAMAGE:

Unfortunately, sometimes materials can be damaged during shipment. If materials are damaged during shipment, please follow the guidelines below to determine the appropriate process for you to follow in case of damages.

Severe Damage:

Obvious damage to external packaging / internal product. Please **refuse** the shipment and it will be returned to TRUE Fitness by the carrier. Contact the TRUE Fitness customer support team by calling 800.883.8783 or sales support team by calling 800.426.6570 Monday-Friday during normal business hours to notify us that the shipment has been refused. Once we have received the damaged shipment, a replacement shipment will be sent to you. Only refuse the damaged piece if the shipment is multiple boxes.

Slight Damage:

The box may have minimal damages and you are not sure if the actual product is damaged or not. You **must** sign the bill of lading as damaged when accepting the shipment. Once you have opened the box and you have determined something is indeed damaged please gather the serial number, model number, description and photos of damages. Please make sure the photos include the damaged product as well as the damaged box the product arrived in. Contact the TRUE Fitness customer support team by calling 800.883.8783 or sales support team by calling 800.426.6570 Monday-Friday during normal business hours.

Concealed Damage:

You may receive a shipment that looks intact and discover once the box has been opened that there are hidden damages. Please notify the carrier **immediately**. We will not be able to file a claim if the carrier is not notified in a timely manner. Once you have called the carrier you will need to gather the serial number, model number, description and photos of damages. Contact the TRUE Fitness customer support team by calling 800.883.8783 or sales support team by calling 800.426.6570 Monday-Friday during normal business hours.

CHAPTER 7: ADDITIONAL INFORMATION

TROUBLESHOOTING GUIDE:

This troubleshooting guide is intended to assist in diagnostics only and is not all inclusive. Technical specifications, error codes and programming are subject to change without notice. TRUE accepts no liability for any damage or loss suffered by persons whom rely wholly or in part on any description or statement contained within this manual. Please visit www.truefitness.com to obtain the most recent version of all manuals and contact the TRUE Service Department at 800-883-8783 for assistance with troubleshooting and diagnostics.

Malfunction	Possible Cause	Corrective Action
No Power	Power cord not fully seated in socket	Inspect power connection at the unit and outlet
	No power at wall outlet	Use a voltmeter to verify power at wall outlet
	Optional ERP board damaged	Contact True Fitness Customer Service Department
	Battery is discharged	Charge the battery overnight with optional power supply
	Motor control board damaged	Contact True Fitness Customer Service Department
Unit resets or pauses randomly	Damaged power cord	Replace power cord
	Power cord not fully seated in socket	Inspect power connection at the unit and outlet
	Insufficient power	Verify output voltage from 20A outlet with a voltmeter
	Error code is displayed on console	Contact True Fitness Customer Service Department
	Speed sensor out of alignment	Contact True Fitness Customer Service Department
	Pinched or loose main communication cable	Contact True Fitness Customer Service Department
Resistance hesitates or slips when pedaling	Loose belt tension	Contact True Fitness Customer Service Department
Rubbing or knocking sound from unit when in operation	Uneven floor	Adjust equipment with leveling feet.
	Loose hardware	See Chapter 5: inspections
	Loose Pedal	See Chapter 5: inspections
	Bearings may be damaged	Contact True Fitness Customer Service Department
	Brake assembly may be damaged	Contact True Fitness Customer Service Department
	Drive belt may be misaligned	Contact True Fitness Customer Service Department
Heart rate is displaying erratically or not displaying	Transmitter belt contacts are not making good contact with the skin	Readjust the transmitter belt so that it is in full contact with the skin
	Contacts on the transmitter belt are not moist	Moisten the contacts on the transmitter belt
	Transmitter belt is not within 3 feet (1 meter) of the heart rate receiver	Adjust your position on the belt so that you are within 3 foot (1 meter) of the console
	Transmitter belt is not the correct frequency or is encoded	Polar equip or compatible receiver use 4.8kHz un-encoded receiver

CHAPTER 7: ADDITIONAL INFORMATION

TROUBLESHOOTING GUIDE (continued):

Heart rate is displaying erratically or not displaying (continued)	The battery inside the transmitter	Replace the transmitter belt with a compatible transmitter belt
	Another user wearing a compatible transmitter strap is within 3 foot (1 meter) of the unit	Move the units so that there is more space in-between units
	Environmental interference from high voltage power lines	Move the unit to another position within the room or move the cause of the interference until heart rate reading are stable. If the probable source of interference is plugged into the same outlet move the suspect source to another outlet.
	Environmental interference from computers	
	Environmental interference from motor driven appliances	
	Environmental interference from cell or cordless phone	
	Environmental interference from Wi-Fi router	

TRUE[®] CARDIO RESIDENTIAL

ES900



PREMIUM FITNESS EQUIPMENT SINCE 1981

ES900 UPRIGHT

Go the distance in comfort on TRUE's ES900 Upright Bike. Ergonomic aero bars and armrests provide maximum body control, power and stability. Maximize your workout while minimizing your equipment footprint. Choose the 9" touchscreen console to shift your experience into high gear - storing up to six different workouts for up to six different users! The ES900's sleek design and low step-over height are designed for those seeking a realistic cycling experience. The fore and aft seat adjustment offers a wide range of customization.



ES900 UPRIGHT

TECHNICAL SPECIFICATIONS	Power Source	110V/15A
	Cord Length	8' (2.4M)
	Drive Motor	Single Stage Drive System with Poly-V Belts
	Crank	3-Piece Forged Steel Crank System with Sealed Bearings
	Resistance Source	Eddy Current Brake
	Resistance Levels	25 (Emerge), 30 (Escalate®)
	Workload Range	40-450 Watts
	Frame Construction	Robotically Welded Heavy-Gauge Steel
	Pedals	Dual Sided and Weighted with Integrated Ratcheting Strap
	Seat	Gel Seat with Fore/Aft Seat Adjustments
Handlebar Design	Multi-Position with Moisture Resistant Sleeves	
Contact Heart Rate Monitoring	Yes	
Wireless Heart Rate Monitoring	Polar® Compatible	
AVAILABLE CONSOLES	Display	Emerge, 9" Touchscreen (Saved Workouts up to 36, Six (6) User Profiles up to six (6) saved workouts each)
SAFETY		Low Step Over Height
REGULATORY APPROVALS		ETL U11647, CSA
EXTRAS	Accessories	Water Bottle Holder (2, removable), Accessory Tray, Over Molded Reading Rack/Tablet Holder
PHYSICAL SPECIFICATIONS	Footprint	44"L x 24"W x 58.3"H (111 cm x 61 cm x 148cm)
	Machine Weight	122 lbs. (56 kg)
	Maximum User Weight	350 lbs. (159 kg)
	Step-Over Height	16.75" (42.5 cm)
	Portability	2 Front Transport Wheels
WARRANTY	Warranty Type	Residential
	Frame	Lifetime
	Parts	10 Years
	Touchscreen	7 Years
	Labor	1 Year

Warranties outside the U.S. and Canada may vary - Please contact your dealer for details. Specifications subject to change without notice.



CHAPTER 7: ADDITIONAL INFORMATION



Residential Limited Warranty ES900 Upright Bikes

Save time and register online!

Activate Multiple Warranties at truefitness.com.

All TRUE® Fitness products are distributed by TRUE and are warranted to the original registered Product purchaser and the parts of the TRUE product (the "Product") listed below, under normal use and service, shall be free of manufacturing defects in workmanship and materials only for the period of time beginning from the original date of purchase set forth below:

Frame*	Lifetime
Parts	
Electrical	10 Years
Touchscreen	7 Years
Wear Items	10 Years
Cosmetics	6 Months
Labor	1 Year
Parts	6 Months
Cosmetics	
Device Connectivity	
Parts	90 Days Parts,
Cosmetics	No Labor

NOTE: Warranty valid for USA and Canada only.

NOTE: Failure to register this product will result in no servicing or authorization of parts to be shipped.

NOTE: Buying after-market products from a 3rd party will result in voided warranty.

NOTE: This product is intended for in-home use only. Do not use this bike in a commercial or institutional setting. Doing so may void the expressed warranty.

Frame

The frame is warranted for defects in material and workmanship for as long as the original purchaser owns the Product. The frame is warranted for labor and freight (for parts shipped from TRUE) for one year from date of purchase. * This limited warranty on structural frame does not include paint or coatings.

Parts

The bike electrical parts and wear items are warranted for defects in material and workmanship for ten years with one year labor warranty. The touchscreen console is warranted for defects and materials and workmanship for seven years with one year labor warranty. This limited warranty does not cover damage or equipment failure resulting from or caused by improper assembly/installation, failure to follow instructions and warnings in owner's manual, accident, misuse, abuse, unauthorized modification, or failure to provide reasonable and necessary maintenance. *True Fitness shall not warrant the performance of the heart rate system on its products, as the heart rate system performance varies, based on user's physiology, age, method of use and other factors. * This limited warranty shall not apply to Software version upgrades.

Cosmetics

The bike cosmetic parts are warranted for defects in material and workmanship for six months with labor warranty to match the parts warranty period. This limited warranty does not cover damage or equipment failure resulting from or caused by improper assembly/ installation, failure to follow instructions and warnings in owner's manual, accident, misuse, abuse, unauthorized modification, or failure to provide reasonable and necessary maintenance. This limited warranty will apply, but may not be limited to paint/coatings, covers/caps, badges, overlays, pedal, pedal strap, and seat cushions.

Device Connectivity

Device Connectivity elements; headphone jack and USB port are warranted for defects in material and workmanship for 90 days with no labor warranty.

Labor

Labor is covered for a period of one year from the date of purchase unless otherwise expressed within this limited warranty as long as a TRUE authorized service provider performs the service. Service that requires over 50 miles of travel may be subject to additional charges.

Reasonable and necessary maintenance guidelines can be found in the owner's manual.

Claims Procedure

TRUE Limited Warranty service may be obtained by contacting the authorized TRUE dealer from whom the Product was purchased. If the dealer from whom the Product was purchased is no longer an authorized TRUE dealer, then TRUE Limited Warranty service may be obtained by contacting TRUE directly using the following information:

TRUE Fitness, Service Department

865 Hoff Rd.

St. Louis, MO.

63366

1-800-883-8783, (Hours of operation 8:30am - 5:00 pm CST)

truefitness.com / 800.426.6570 / 1.636.272.7100

CHAPTER 7: ADDITIONAL INFORMATION



Residential Limited Warranty ES900 Upright Bikes

Save time and register online!

Activate Multiple Warranties at truefitness.com.

The above Limited Warranty is subject to and will be in accordance with the conditions set forth below:

1. THIS LIMITED WARRANTY GIVES YOU SPECIFIC LEGAL RIGHTS AND YOU MANY ALSO HAVE OTHER RIGHTS, WHICH VARY FROM STATE TO STATE.

2. This Limited Warranty can be processed only if the Warranty Registration Form is completed on-line; or if the attached form is filled in, signed by the original purchaser and mailed to TRUE within 30 days of purchaser's receipt of this Product. The serial number must be intact on the Product for this Limited Warranty to be valid.

3. This Limited Warranty applies to the product only while the Product remains in the possession of the original purchaser and is not transferable.

4. This Limited Warranty becomes VALID ONLY if the Product is initially assembled/installed by a TRUE authorized dealer/ technician (if anyone other than a TRUE authorized dealer/ technician initially assembles and installs the Product, this Limited Warranty will be void unless the written authorization of TRUE is first obtained).

5. This Limited Warranty does not cover damage or equipment failure resulting from or caused by improper assembly/ installation, failure to follow instructions and warnings in owner's manual, accident, misuse, abuse, unauthorized modification, or failure to provide reasonable and necessary maintenance (as referenced in the owner's manual.)

6. This Limited Warranty applies only to the cost of repair or replacement of parts and does not include labor (beyond the above warranty period), transportation, service, return and freight charges associated therewith except as expressly specified herein.

7. This Limited Warranty shall not apply to: Service calls to correct installation of the equipment or instruction to owners on how to use the equipment; or any labor costs incurred beyond the applicable labor warranty period.

8. This Limited Warranty, which is given expressly and in lieu of all other express warranties, constitutes the only warranty made by TRUE.

9. ANY IMPLIED WARRANTY, INCLUDING WITHOUT LIMITATION THE WARRANTIES OF MERCHANTABILITY AND FITNESS FOR A PARTICULAR PURPOSE, IS LIMITED IN DURATION AND REMEDY TO THE TIME PERIOD COVERED BY THE LIMITED WARRANTY. SOME STATES DO NOT ALLOW LIMITATIONS ON HOW LONG AN IMPLIED WARRANTY LASTS, SO THE ABOVE LIMITATION MAY NOT APPLY TO YOU.

10. THE REMEDIES DESCRIBED ABOVE ARE YOUR SOLE AND EXCLUSIVE REMEDIES AND TRUE'S ENTIRE LIABILITY FOR ANY BREACH OF THIS LIMITED WARRANTY. TRUE'S LIABILITY SHALL UNDER NO CIRCUMSTANCES EXCEED

THE ACTUAL AMOUNT PAID BY YOU FOR THE PRODUCT, NOR SHALL TRUE UNDER ANY CIRCUMSTANCES BE LIABLE FOR ANY CONSEQUENTIAL, INCIDENTAL, SPECIAL OR PUNITIVE DAMAGES OR LOSSES, WHETHER DIRECT OR INDIRECT. SOME STATES DO NOT ALLOW THE EXCLUSION OR LIMITATION OF INCIDENTAL OR CONSEQUENTIAL DAMAGES, SO THE ABOVE LIMITATION OR EXCLUSION MAY NOT APPLY TO YOU.

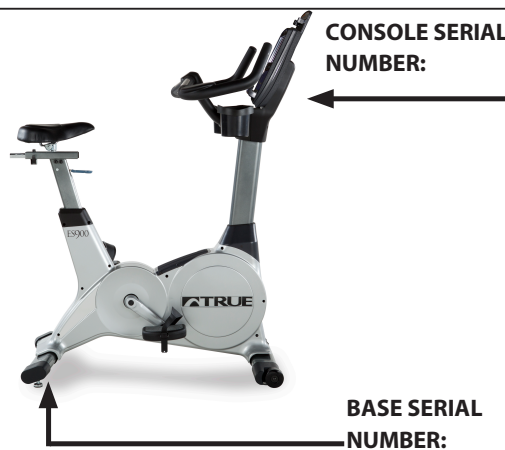
NOTE TO AUTHORIZED WARRANTY LABOR PROVIDERS:
Warranty labor reimbursement or warranty parts rights may not be transferred to, reassigned to, a third party without the express written consent of TRUE. Even jobbing out warranty labor requires TRUE's written approval.

BIKE SERIAL NUMBERS:

The Bike comes with two serial numbers; one on the base and one on the display console (see diagram below). The serial number on the base is located on the bottom of the crossbar. The console serial number is located on the bottom right side of each console. Please write down your serial numbers below and keep for your records.

CONSOLE SERIAL NUMBER:

BASE SERIAL NUMBER:



SAMPLE SERIAL NUMBER STICKER:



truefitness.com / 800.426.6570 / 1.636.272.7100

KEEP THIS PAGE FOR YOUR RECORDS

CHAPTER 7: ADDITIONAL INFORMATION



Residential Limited Warranty ES900 Upright Bikes

Thank you for purchasing a TRUE product. To validate the TRUE product warranty the fast and easy way, **please go online now to www.truefitness.com and register your product.** The information you provide will never be distributed to any other individuals or agencies for any purpose. If you prefer to mail your warranty card, have the owner of the product complete the information below and return it to TRUE Fitness Technology within **30 days** from the date of equipment installation.

To mail your warranty information, please fill in the information below (or save postage and register online at www.truefitness.com):

Residential Warranty Registration

Model Type: Treadmill Elliptical Bike _____

Other _____

Date of Purchase _____

Purchased From (dealer name) _____

First Name _____

Last Name _____

Address _____

City _____ State _____ ZIP _____

Email Address _____

Phone _____

1. Where did you first learn about TRUE?

- a. Dealer b. Website
 c. Referral d. Gym/Club
 e. Current Customer f. Other _____

2. The primary user(s) is:

- a. Male b. Female
 c. Both

3. Do you currently belong to a health club?

- a. Yes b. No

4. Your age group:

- a. Under 25 b. 25-35
 c. 36-45 d. 46-55
 e. 56-65 f. 65+

5. What was the primary reason you bought a TRUE product? (Check only one)

- a. Design/Appearance b. Dealer
 c. Price d. Ease of Operation
 e. Quality of Construction f. Size
 g. Reputation h. Warranty
 i. Friend/Family Recommendation

6. Do you plan to purchase more fitness equipment in the next 6-12 months?

- Yes No

7. If you answered "yes" to question 6, what type do you plan to purchase?

- a. Treadmill b. Elliptical
 c. Stationary Bike d. Free Weights
 e. Gym c. Other _____

8. What is your annual household income? (Optional)

- a. Under \$50,000
 b. \$50,000 - \$75,000
 c. \$75,000 - \$100,000
 d. \$100,000 - \$150,000
 e. \$150,000+

9. You are a valued customer of TRUE and your suggestions allow us to continually improve your experience. Is there anything else you would like us to know? Please explain:

CONSOLE SERIAL NUMBER:

BASE SERIAL NUMBER: